

INTERNATIONAL STANDARD

NORME INTERNATIONALE



**Reed switches –
Part 1-1: Generic specification – Blank detail specification**

**Contacts à lames souples –
Partie 1-1: Spécification générique – Spécification particulière-cadre**



THIS PUBLICATION IS COPYRIGHT PROTECTED

Copyright © 2018 IEC, Geneva, Switzerland

All rights reserved. Unless otherwise specified, no part of this publication may be reproduced or utilized in any form or by any means, electronic or mechanical, including photocopying and microfilm, without permission in writing from either IEC or IEC's member National Committee in the country of the requester. If you have any questions about IEC copyright or have an enquiry about obtaining additional rights to this publication, please contact the address below or your local IEC member National Committee for further information.

Droits de reproduction réservés. Sauf indication contraire, aucune partie de cette publication ne peut être reproduite ni utilisée sous quelque forme que ce soit et par aucun procédé, électronique ou mécanique, y compris la photocopie et les microfilms, sans l'accord écrit de l'IEC ou du Comité national de l'IEC du pays du demandeur. Si vous avez des questions sur le copyright de l'IEC ou si vous désirez obtenir des droits supplémentaires sur cette publication, utilisez les coordonnées ci-après ou contactez le Comité national de l'IEC de votre pays de résidence.

IEC Central Office
3, rue de Varembe
CH-1211 Geneva 20
Switzerland

Tel.: +41 22 919 02 11
info@iec.ch
www.iec.ch

About the IEC

The International Electrotechnical Commission (IEC) is the leading global organization that prepares and publishes International Standards for all electrical, electronic and related technologies.

About IEC publications

The technical content of IEC publications is kept under constant review by the IEC. Please make sure that you have the latest edition, a corrigenda or an amendment might have been published.

IEC Catalogue - webstore.iec.ch/catalogue

The stand-alone application for consulting the entire bibliographical information on IEC International Standards, Technical Specifications, Technical Reports and other documents. Available for PC, Mac OS, Android Tablets and iPad.

IEC publications search - webstore.iec.ch/advsearchform

The advanced search enables to find IEC publications by a variety of criteria (reference number, text, technical committee,...). It also gives information on projects, replaced and withdrawn publications.

IEC Just Published - webstore.iec.ch/justpublished

Stay up to date on all new IEC publications. Just Published details all new publications released. Available online and also once a month by email.

Electropedia - www.electropedia.org

The world's leading online dictionary of electronic and electrical terms containing 21 000 terms and definitions in English and French, with equivalent terms in 16 additional languages. Also known as the International Electrotechnical Vocabulary (IEV) online.

IEC Glossary - std.iec.ch/glossary

67 000 electrotechnical terminology entries in English and French extracted from the Terms and Definitions clause of IEC publications issued since 2002. Some entries have been collected from earlier publications of IEC TC 37, 77, 86 and CISPR.

IEC Customer Service Centre - webstore.iec.ch/csc

If you wish to give us your feedback on this publication or need further assistance, please contact the Customer Service Centre: sales@iec.ch.

A propos de l'IEC

La Commission Electrotechnique Internationale (IEC) est la première organisation mondiale qui élabore et publie des Normes internationales pour tout ce qui a trait à l'électricité, à l'électronique et aux technologies apparentées.

A propos des publications IEC

Le contenu technique des publications IEC est constamment revu. Veuillez vous assurer que vous possédez l'édition la plus récente, un corrigendum ou amendement peut avoir été publié.

Catalogue IEC - webstore.iec.ch/catalogue

Application autonome pour consulter tous les renseignements bibliographiques sur les Normes internationales, Spécifications techniques, Rapports techniques et autres documents de l'IEC. Disponible pour PC, Mac OS, tablettes Android et iPad.

Recherche de publications IEC - webstore.iec.ch/advsearchform

La recherche avancée permet de trouver des publications IEC en utilisant différents critères (numéro de référence, texte, comité d'études,...). Elle donne aussi des informations sur les projets et les publications remplacées ou retirées.

IEC Just Published - webstore.iec.ch/justpublished

Restez informé sur les nouvelles publications IEC. Just Published détaille les nouvelles publications parues. Disponible en ligne et aussi une fois par mois par email.

Electropedia - www.electropedia.org

Le premier dictionnaire en ligne de termes électroniques et électriques. Il contient 21 000 termes et définitions en anglais et en français, ainsi que les termes équivalents dans 16 langues additionnelles. Egalement appelé Vocabulaire Electrotechnique International (IEV) en ligne.

Glossaire IEC - std.iec.ch/glossary

67 000 entrées terminologiques électrotechniques, en anglais et en français, extraites des articles Termes et Définitions des publications IEC parues depuis 2002. Plus certaines entrées antérieures extraites des publications des CE 37, 77, 86 et CISPR de l'IEC.

Service Clients - webstore.iec.ch/csc

Si vous désirez nous donner des commentaires sur cette publication ou si vous avez des questions contactez-nous: sales@iec.ch.

INTERNATIONAL STANDARD

NORME INTERNATIONALE



**Reed switches –
Part 1-1: Generic specification – Blank detail specification**

**Contacts à lames souples –
Partie 1-1: Spécification générique – Spécification particulière-cadre**

INTERNATIONAL
ELECTROTECHNICAL
COMMISSION

COMMISSION
ELECTROTECHNIQUE
INTERNATIONALE

ICS 29.120.70

ISBN 978-2-8322-5337-3

**Warning! Make sure that you obtained this publication from an authorized distributor.
Attention! Veuillez vous assurer que vous avez obtenu cette publication via un distributeur agréé.**

CONTENTS

FOREWORD.....	4
INTRODUCTION.....	6
1 Scope.....	7
2 Normative references	7
3 Terms and definitions	8
3.1 reed switch types	8
3.2 tests	8
3.3 inspection	9
3.4 safety and failure modes	9
4 Test schedules	10
4.1 General.....	10
4.2 Order of tests.....	10
4.3 Test groups and subgroups.....	10
4.4 Type test.....	10
4.5 Quality conformance inspection	10
4.6 Formation of inspection lots	10
4.7 Periodic test.....	11
4.8 Periodic test intervals between tests	11
4.9 Standard conditions for testing.....	11
4.10 Mounting of test specimens during the test	11
4.11 General conditions for testing	11
5 Characteristic values of the reed switches	37
5.1 Contact data	37
5.1.1 Failure criteria	37
5.1.2 Static contact-circuit resistance	41
5.1.3 Mechanical endurance.....	42
5.1.4 Final dielectric test	42
5.2 Environmental data	42
5.3 Reliability – Failure rate data	42
6 Marking and documentation.....	42
6.1 General.....	42
6.2 Marking of the reed switch	43
6.3 Marking of the packaging	43
6.4 Coded date of manufacturer.....	43
7 Preparation of blank detail and detail specification	43
Annex A (normative) Mounting in a standard coil	45
Annex B (normative) Variants	46
Annex C (informative) Typical applications.....	47
Annex D (informative) Examples of blank detail and detail specifications	48
D.1 Key to front page	48
D.2 Examples of blank detail specifications	49
D.2.1 Blank detail specification (1).....	49
D.2.2 Blank detail specification (2).....	50
D.2.3 Blank detail specification (3).....	51
D.2.4 Blank detail specification (4).....	52

D.2.5	Blank detail specification (5).....	53
D.2.6	Blank detail specification (6).....	54
D.2.7	Blank detail specification (7).....	55
D.2.8	Blank detail specification (8).....	56
D.2.9	Blank detail specification (9).....	57
D.2.10	Blank detail specification (10).....	58
D.2.11	Blank detail specification (11).....	59
D.2.12	Blank detail specification (12).....	60
Bibliography.....		61
Figure A.1 – Switch direction and position in a standard coil.....		45
Table 1 – Test procedure of quality assessment.....		12
Table 2 – Sampling and test schedule of type test (1 of 5).....		14
Table 3 – Sampling and test schedule of type test (grouping).....		27
Table 4 – Quality conformance inspection (1 of 7).....		29
Table 5 – Variant A of reed switches (1 of 2).....		37
Table 6 – Variant A of heavy-duty reed switches (1 of 2).....		39
Table 7 – Variant B of heavy-duty reed switches.....		41
Table 8 – Environmental data for reed switches.....		42
Table 9 – Reliability data for reed switches.....		42

INTERNATIONAL ELECTROTECHNICAL COMMISSION

REED SWITCHES –

Part 1-1: Generic specification – Blank detail specification

FOREWORD

- 1) The International Electrotechnical Commission (IEC) is a worldwide organization for standardization comprising all national electrotechnical committees (IEC National Committees). The object of IEC is to promote international co-operation on all questions concerning standardization in the electrical and electronic fields. To this end and in addition to other activities, IEC publishes International Standards, Technical Specifications, Technical Reports, Publicly Available Specifications (PAS) and Guides (hereafter referred to as “IEC Publication(s)”). Their preparation is entrusted to technical committees; any IEC National Committee interested in the subject dealt with may participate in this preparatory work. International, governmental and non-governmental organizations liaising with the IEC also participate in this preparation. IEC collaborates closely with the International Organization for Standardization (ISO) in accordance with conditions determined by agreement between the two organizations.
- 2) The formal decisions or agreements of IEC on technical matters express, as nearly as possible, an international consensus of opinion on the relevant subjects since each technical committee has representation from all interested IEC National Committees.
- 3) IEC Publications have the form of recommendations for international use and are accepted by IEC National Committees in that sense. While all reasonable efforts are made to ensure that the technical content of IEC Publications is accurate, IEC cannot be held responsible for the way in which they are used or for any misinterpretation by any end user.
- 4) In order to promote international uniformity, IEC National Committees undertake to apply IEC Publications transparently to the maximum extent possible in their national and regional publications. Any divergence between any IEC Publication and the corresponding national or regional publication shall be clearly indicated in the latter.
- 5) IEC itself does not provide any attestation of conformity. Independent certification bodies provide conformity assessment services and, in some areas, access to IEC marks of conformity. IEC is not responsible for any services carried out by independent certification bodies.
- 6) All users should ensure that they have the latest edition of this publication.
- 7) No liability shall attach to IEC or its directors, employees, servants or agents including individual experts and members of its technical committees and IEC National Committees for any personal injury, property damage or other damage of any nature whatsoever, whether direct or indirect, or for costs (including legal fees) and expenses arising out of the publication, use of, or reliance upon, this IEC Publication or any other IEC Publications.
- 8) Attention is drawn to the Normative references cited in this publication. Use of the referenced publications is indispensable for the correct application of this publication.
- 9) Attention is drawn to the possibility that some of the elements of this IEC Publication may be the subject of patent rights. IEC shall not be held responsible for identifying any or all such patent rights.

International Standard IEC 62246-1-1 has been prepared by IEC technical committee 94: All-or-nothing electrical relays.

This second edition cancels and replaces the first edition published in 2013. This edition constitutes a technical revision.

This edition includes the following significant technical changes with respect to the previous editions:

- a) update of the scope, references and terms and definitions;
- b) inclusion of guidelines for the preparation of blank detail and detail specifications;
- c) update of characteristics values including functional ratings for safety;
- d) update of the quality conformance inspection procedures;
- e) update of typical applications.

The text of this International Standard is based on the following documents:

FDIS	Report on voting
94/426/FDIS	94/427/RVD

Full information on the voting for the approval of this International Standard can be found in the report on voting indicated in the above table.

This document has been drafted in accordance with the ISO/IEC Directives, Part 2.

This document is to be used in conjunction with IEC 62246-1:2015.

A list of all parts in the IEC 62246 series, published under the general title *Reed switches*, can be found on the IEC website.

The committee has decided that the contents of this document will remain unchanged until the stability date indicated on the IEC website under "<http://webstore.iec.ch>" in the data related to the specific document. At this date, the document will be

- reconfirmed,
- withdrawn,
- replaced by a revised edition, or
- amended.

IMPORTANT – The 'colour inside' logo on the cover page of this publication indicates that it contains colours which are considered to be useful for the correct understanding of its contents. Users should therefore print this document using a colour printer.

INTRODUCTION

Reed switches which are in mass production and which are widely used, in practice could be classified by the following characteristics:

a) Size:

- Normal or standard reed switches with a tube more than 50 mm in length and more than 5 mm in diameter;
- Sub-miniature reed switches with a tube more than 20 mm and up to 50 mm in length and up to 5 mm in diameter;
- Miniature reed switches with a tube more than 10 mm and up to 20 mm in length and more than 2 mm and up to 5 mm in diameter;
- Micro-miniature reed switches with a tube up to 10 mm in length and up to 2 mm in diameter.

b) Type of switching of electric circuit:

- Closing or normally open – A type or NO;
- Opening or normally closed – B type or NC;
- Changeover – C type or CO.

c) Withstand voltage level:

- Low-voltage (up to 1 000 V);
- High-voltage (more than 1 000 V).

d) Switches power:

- Low-power (up to 60 W or 60 VA);
- Power (100 W to 1 000 W or 100 VA to 1 000 VA);
- High-power (more than 1 000 W or 1 000 VA).

e) Types of electric contacts:

- The tube is filled with dry air, gas mixture, vacuumized, or high pressurized.

Based on the general provisions of IEC 62246-1:2015, this document selects and specifies blank detail and detail specifications including safety contact ratings and test procedures for reed switches where enhanced requirements for the verification of quality assessment specification apply.

This document describes sampling and test schedules for qualification approval procedures, quality conformance inspection, formation of inspection lots and intervals between tests.

NOTE All type of reed switches exclude mercury reed switches.

REED SWITCHES –

Part 1-1: Generic specification – Blank detail specification

1 Scope

This part of IEC 62246 which is a blank detail specification defines requirements and tests for reed switches for use in general and industrial applications.

This document is intended to be used in conjunction with IEC 62246-1:2015 and specific products standards applying as switching elements.

This document selects from IEC 62246-1:2015 and from other sources the appropriate test procedures to be used in detail specifications derived from this specification.

Reed switch types are specified depending on characteristic values including functional ratings for safety and tests.

NOTE Mercury wetted reed switches are not covered by this document due to their possible environmental impact.

2 Normative references

The following documents are referred to in the text in such a way that some or all of their content constitutes requirements of this document. For dated references, only the edition cited applies. For undated references, the latest edition of the referenced document (including any amendments) applies.

IEC 60068-2-6:2007, *Environmental testing – Part 2-6: Tests – Test Fc: Vibration (sinusoidal)*

IEC 60068-2-11:1981, *Basic environmental testing procedures – Part 2-11: Tests – Test Ka: Salt mist*

IEC 60068-2-14:2009, *Environmental testing – Part 2-14: Tests – Test N: Change of temperature*

IEC 60068-2-17:1994, *Environmental testing – Part 2-17: Tests – Test Q: Sealing*

IEC 60068-2-20:2008, *Environmental testing – Part 2-20: Tests – Test T: Test methods for solderability and resistance to soldering heat of devices with leads*

IEC 60068-2-21:2006, *Environmental testing – Part 2-21: Tests – Test U: Robustness of terminations and integral mounting devices*

IEC 60068-2-78:2012, *Environmental testing – Part 2-78: Tests – Test Cab: Damp heat, steady state*

IEC 60127-2:2014, *Miniature fuses – Part 2: Cartridge fuse-links*

IEC 61373:2010, *Railway applications – Rolling stock equipment – Shock and vibration tests*

IEC 61810-2:2017, *Electromechanical elementary relays – Part 2: Reliability*

IEC 61810-2-1:2017, *Electromechanical elementary relays – Part 2-1: Reliability – Procedure for the verification of B_{10} values*

IEC 62246-1:2015, *Reed switches – Part 1: Generic specification*

ISO 2859-1:1999, *Sampling procedures for inspection by attributes – Part 1: Sampling schemes indexed by acceptance quality limit (AQL) for lot-by-lot inspection*

3 Terms and definitions

The terms and definitions given in IEC 62246-1:2015 and the following, apply.

ISO and IEC maintain terminological databases for use in standardization at the following addresses:

- IEC Electropedia: available at <http://www.electropedia.org/>
- ISO Online browsing platform: available at <http://www.iso.org/obp>

3.1 reed switch types

3.1.1

type

products having similar design features and nominal dimensions manufactured by the same techniques and falling within a range of ratings specified by the manufacturer

Note 1 to entry: Mounting accessories are ignored, provided they have no significant effect on the test results.

3.1.2

variant

variation within a type having specific characteristics

3.1.3

reed switch

assembly containing contact blades, partly or completely made of magnetic material, hermetically sealed in an envelope and controlled by means of an externally generated magnetic field (e.g. an energizing quantity applied to a coil)

3.1.4

high voltage vacuum reed switch

reed switch, in which ability to switch high voltages is achieved by a high vacuum within the hermetically sealed envelope

3.1.5

heavy-duty reed switch

reed switch, in which greater switching capacity is achieved

Note 1 to entry: Blades having additional contact tips or a contact tip and spring which separate the magnetic path and electric path are typical examples of techniques to increase switching capacity.

3.2 tests

3.2.1

type test

test of one or more reed switches made to a certain design to show that the design meets certain specifications

3.2.2

routine test

conformity test made on each reed switch during or after manufacture

3.2.3

lot-by-lot test

test carried out periodically on a sample of reed switches drawn from running production at least once a month

3.2.4

periodic test

test carried out periodically on a sample of reed switches drawn from running production at least once a year and every two years

Note 1 to entry: The results from periodic tests are used to verify that the level of technical performance is maintained.

Note 2 to entry: Sub-groups intervals between tests A0, A4 and B1, C1 and C4 are specified in 4.8.

3.3 inspection

3.3.1

inspection

process of measuring, examining, testing, or otherwise comparing the unit of product with the specified requirements

3.3.2

IL

inspection level

specification of lower limits for lot-by-lot test

Note 1 to entry: See ISO 2859-1:1999, Clause 9.

3.3.3

AQL

acceptance quality limit

maximum percent of defects that can be tolerance as a risk, stated for purposes of sampling inspection

Note 1 to entry: Sample inspection with associated risk tolerance is employed only where all units of product within an inspection lot is expected to completely comply with specification requirements.

3.4 safety and failure modes

3.4.1

B_{10} value

point estimate of B_{10} , the time (in number of cycles) by which 10 % of the population will have failed

Note 1 to entry: When B_{10} values are specified in the detail specifications, the electrical endurance test should measure all failures according to IEC 61810-2.

Note 2 to entry: See Clause A.3 of IEC 61810-2:2017.

3.4.2

B_{10D} value

number of cycles until 10 % of the components fail dangerously

Note 1 to entry: B_{10D} values are calculated according to IEC 61810-2-1.

3.4.3

dangerous failure

failure of an element and/or subsystem and/or system that plays a part in implementing the safety function that decreases the probability that the safety function operates correctly when required

[SOURCE: IEC 61508-4:2010, 3.6.7, modified – item a) has been deleted.]

4 Test schedules

4.1 General

Test procedures of quality assessment are specified in Table 1 which is referenced in the corresponding subclauses of IEC 62246-1.

4.2 Order of tests

Quality conformance inspection is divided into two parts: that carried out lot-by-lot, on which the release of the individual lots is based, and that carried out on a periodic basis, which contains the time-consuming and more expensive tests.

When several tests are subsequently to be carried out on any one specimen or number of specimens, the following order shall apply, unless otherwise specified in the detail specification:

- a) a 100 % test with
- b) tests in groups.

4.3 Test groups and subgroups

For the 100 % test subgroup, a reed switch shall be rejected when it fails any test. For detection purposes, a contact can be considered closed when the voltage drop across it is less than one half of its open-circuit value. Conditions of test shall be specified in the detail specification.

4.4 Type test

- Sampling and test schedule are specified in Tables 2 and 3.
- The tests specified and their order is mandatory.
- Tests stated in Tables 2 and 3 are mandatory for the variants except when otherwise specified.

4.5 Quality conformance inspection

An initial conformity test has to be passed and then confirmed by routine tests, lot-by-lot tests and periodic tests.

Quality conformance inspection contains the tests stated in Table 4:

- Group A: routine tests;
- Groups A and B: lot-by-lot tests;
- Group C: periodic tests.

Unless otherwise stated in this document, all tests of Table 4 are mandatory.

Where a subgroup contains cumulative tests, the order of the tests is mandatory. Specimens that have been subjected to tests denoted as destructive (D) shall not be released for delivery. Specimens that have been subjected to tests denoted as non-destructive (ND) are permitted to be released for delivery.

4.6 Formation of inspection lots

The basis for the determination of sample size for the quality conformance inspection is the reed switch quantity produced during one month.

4.7 Periodic test

The periodic test shall be performed in regular intervals as specified by the manufacturer, as a minimum with the rated operating current I_e only.

For each periodic test, the evaluated B_{10} value shall be at least 80 % of the B_{10} value obtained from the conformity test.

Fixed sample sizes for group C inspection shall be taken from a lot (or lots) which has (have) passed groups A and B inspection during or at the end of the specified reference period.

4.8 Periodic test intervals between tests

- Subgroup A0: at shipment.
- Subgroups A4 and B1: manufacturer specifies the intervals.
- Subgroups C1: at least once a year.
- Subgroup C4: at least once every two years.

4.9 Standard conditions for testing

If not otherwise stated, all tests shall be performed under standard conditions for testing according to 6.3 of IEC 62246-1:2015.

4.10 Mounting of test specimens during the test

The following requirement shall apply for shock and vibration tests.

The reed switch shall be mounted by its normal mounting method to the test fixture, where inherent resonances have been minimized so as not to invalidate the test.

4.11 General conditions for testing

Unless otherwise stated, the test coil number and when applicable its polarity specified in Table 5 shall be used for all tests. Unless otherwise stated in this document, the polarity shall be as specified by the manufacturer.

Table 1 – Test procedure of quality assessment

		Quality conformance inspection (inspection level / sampling quantities)					Test for qualification approval	Qualification approval (Sample size / acceptable number of failures during test)																		
		A		B	C		At mass production First article inspection Sample size 170 switches min.	Gr. 1	Gr. 2	Gr.3	Gr. 4	Gr. 5	Gr. 6	Gr. 7	Gr. 8	Gr. 9	Gr. 10	Gr. 11	Gr. 12	Gr. 13	Gr. 14					
Group								170 switches																		
Sub-group		A0	A4	B1	C1	C4																				
Test interval		Routine test			Type test				18 switches																	
		Lot-by-lot tests																								
Frequency (time)		At shipment	1/M	1/M	1/Y	1/2Y				18 switches																
Type test																										
Routine test		100 %																								
Sampling inspection			IL: S4	IL: S3																						
Periodic tests					Yes	Yes																				
Test number in Table 2	1. Visual inspection (6.4)	Yes	Yes				170 switches				170/0															
	2. Functional operation (6.5)	Yes	Yes																							
	3. Contact resistance (6.7)	Yes	Yes																							
	4. Dielectric test (6.8)	Yes	Yes																							
	5. Operating times (6.10)	Yes	Yes																							
	6. Sealing (6.21)	Yes	Yes																							
	7. Remanence test (6.6)						18 switches		6/0																	
	8. Insulation resistance (6.9)									6/0																
	9. Contact sticking (6.11)									6/0																
	10. Robustness of terminals (6.12)					6	18 switches			6/0																
	11. Soldering (6.13)					5					6/0															
	12. Climatic sequence (6.14)					6					6/0															
	13. Damp heat, steady state (6.15)						18 switches				6/0															
	14. Rapid change of temperature (6.16)											6/0														

Table 2 – Sampling and test schedule of type test (1 of 5)

Test no.	Test	Test conditions according to IEC 62246-1:2015	Sample size	Acceptable number of failures	Performance requirements
1	Visual inspection and check of dimensions (ND)	Subclause 6.4	170	0	According to Table 4 Marking as specified in 6.1
2	Functional tests (ND)	Subclause 6.5, Procedure 1 Application points and standard test coil number: Must-operate value: Saturate value: 150 % of must-operate must-release value: Contact failure-to-make and failure-to-break by monitoring a current, typically 10 mA at 24 V DC max.			According to Table 5 According to Table 4
3	Contact circuit resistance (ND)	Subclause 6.7 Application points: terminals of closed contacts Standard test coil number: Test coil voltage: 150 % of must-operate Test voltage max.: 6 V DC or 6 V AC Test current max.: 1 A			Initial value according to Table 4 According to Table 5
4	Dielectric test (ND)	Subclause 6.8 Application points and test voltage: Duration of test: 1 min NOTE A shorter test with a higher voltage can be stated in the detail specification.			According to Table 4 Maximum leakage current: 0,5 mA
5	Operating times (ND)	Subclause 6.10 Application points and standard test coil number: Test coil voltage: 150 % of must-operate Operate time: Release time: Operate bounce time: Contact failure-to-make and failure-to-break by monitoring a current, typically 10 mA at 24 V DC max.			According to Table 5 According to Table 4
6	Sealing (ND)	Subclause 6.21 Application points and standard test coil number: Arc time during test for heavy-duty reed switches Test coil voltage: 150 % of must-operate Test voltage: 100 V DC to 110 V DC Test current: 0,5 A to 0,55 A Total number of operations required: 3			According to Table 5 According to Table 8

Test no.	Test	Test conditions according to IEC 62246-1:2015	Sample size	Acceptable number of failures	Performance requirements
		Leak test for reed switches and high voltage vacuum reed switch.			
7	Remanence tests (ND)	Subclause 6.6 Application points and standard test coil number: Saturate value: 150 % of must-operate Just-operate value 1 Saturate value (reverse polarity): 150 % of must-operate Just-operate value 2	6	0	According to Table 5 Remanence value: Max. 10 %
8	Insulation test (ND)	Subclause 6.9 Application points and test voltage:	6	0	According to Table 4
9	Contact sticking (ND) Thermal sticking Magnetostrictive sticking	Subclause 6.11.1, Procedure 1 Application points and standard test coil number: Upper category temperature: 150 °C for heavy-duty reed switches 125 °C for reed switches Saturate value: 150 % of must-operate Test period: min 24 h Max. permitted value: Subclause 6.11.2 Application points and standard test coil number: Pulsing rate: 10 cycles per second Limits for the peak-to-peak value of the pulse: 200 % and 100 % of must-operate Number of test cycles: 5 Min. contact circuit resistance defining failure-to-break:	6	0	According to Table 5 Permitted value: max.10 % According to Table 5 Zero failure-to-break According to Table 4
10	Robustness of terminals (D)	Subclause 6.12 (in accordance with IEC 60068-2-21) Procedure: test Ua1 – tensile Final measurements: Test 1 – visual inspection Test 2 – functional tests Test 6 – sealing	6	0	According to Table 4 No breaking or loosening of terminals No cracks or other deterioration According to Table 4 According to Table 8

Test no.	Test	Test conditions according to IEC 62246-1:2015	Sample size	Acceptable number of failures	Performance requirements
11	Soldering (D)	Subclause 6.13 (in accordance with IEC 60068-2-20, test Ta, method 1) Temperature: (250 ± 5) °C Duration: (2 ± 0,5) s Application point: 5 mm from the glass-to-metal seals	6	0	When inspected with a magnifying lens, the dipped surface shall be 95 % covered with new solder coating, the remaining 5 % may contain only small pinholes
		Subclause 6.13 (in accordance with IEC 60068-2-20, test Ta, method 2) Temperature: (350 ± 5) °C Duration: (3 ± 0,5) s Application point: 5 mm from the glass-to-metal seals Final measurements:			
		Test 1 – visual test Test 2 – functional tests Test 6 – sealing			No cracks or other deterioration According to Table 4 According to Table 8
12	Climatic sequence (D)	Subclause 6.14 Dry heat, 6.14.2 of IEC 62246-1: 2015 Application points and standard test coil number: Temperature: 200 °C for heavy-duty reed switches 125 °C for reed switches and high voltage vacuum reed switch Duration: 16 h Recovery: 4 h During the last 2 h of dry heat exposure: monitoring of contact-circuit resistance Number of cycles per s: 2 Duty factor: 1:1 Test contact voltage: max. 6 V DC or AC Test contact current: max. 1 A Before the end of dry heat exposure: Test 2 – functional tests Damp heat cyclic, 6.14.2 of IEC 62246-1: 2015, one cycle Temperature 55 °C Recovery: 4 h Cold, 6.14.2 of IEC 62246-1:2015 Temperature: – 50 °C for heavy-duty reed switches – 40 °C for reed switches and high voltage vacuum reed switch	6	0	According to Table 5 Value according to Table 8 Value according to Table 8

Test no.	Test	Test conditions according to IEC 62246-1:2015	Sample size	Acceptable number of failures	Performance requirements
		Duration: 2 h Before the end of cold exposure: Test 2 – functional tests Damp heat cyclic, 6.14.2 of IEC 62246-1: 2015, one cycle Temperature: 55 °C Recovery: 4 h			
		Final measurements: Test 4 – dielectric test Test 2 – functional tests Test 3 – contact-circuit resistance Test 1 – visual inspection Test 6 – sealing test			According to Table 4 According to Table 4 According to Table 4 No cracks or other deterioration According to Table 8
13	Damp heat, steady state (D)	Subclause 6.15 (in accordance with IEC 60068-2-78: 2012) Temperature: 40 °C Humidity: 95 % RH Conditioning time: 10 days Final measurements: Test 4 – dielectric test Test 2 – functional tests Test 3 – contact circuit resistance Test 1 – visual inspection Test 6 – sealing test Test 11 – solderability	6	0	
					According to Table 4 According to Table 4 According to Table 4 According to Table 4 No cracks or other deterioration According to Table 8
14	Rapid change of temperature (D)	Subclause 6.16 (in accordance with IEC 60068-2-14) Low temperature: – 50 °C High temperature: 100 °C Exposure time: 20 min Transition time: 1 min Number of cycles: 10 Final measurements: Test 4 – dielectric test Test 2 – functional tests Test 3 – contact-circuit resistance Test 1 – visual inspection Test 6 – sealing test	6	0	
					According to Table 4 According to Table 4 According to Table 4 No cracks or other deterioration According to Table 8

Test no.	Test	Test conditions according to IEC 62246-1:2015	Sample size	Acceptable number of failures	Performance requirements
15	Salt mist (D)	<p>Subclause 6.17 (in accordance with IEC 60068-2-11: 1981)</p> <p>Concentration: 5 ± 1 % by weight</p> <p>PH value: 6,5 to 7,2</p> <p>Temperature: 35 °C</p> <p>Durations:</p> <p>168 h for heavy-duty reed switches</p> <p>24 h for reed switches and high voltage vacuum reed switch</p> <p>Final measurements:</p> <p>Test 4 – dielectric test</p> <p>Test 2 – functional tests</p> <p>Test 3 – contact-circuit resistance</p> <p>Test 1 – visual inspection</p> <p>Test 6 – sealing test</p>	6	0	<p>According to Table 4</p> <p>According to Table 4</p> <p>According to Table 4</p> <p>No breaking or loosening of terminals</p> <p>According to Table 8</p>
16	Vibration (D) Functional	<p>Subclause 6.18</p> <p>Test switch type and standard test coil number: according to Table 5</p> <p>Test coil voltage: 150 % of must-operate</p> <p>Axis of mounting:</p>	6	0	<p>No opening of closed contact circuit with energization condition or closing of opened contact circuit shall exceed 10 μs</p> <p>The movable contact shall be located in the transverse direction</p>
		<p>Vibration conditions:</p> <p>Application: three directions</p> <p>Number of sweeps per direction: 3</p> <p>Sweep rate: 1 octave/min \pm 10 %</p> <p>Total duration: approx. 3×10 min</p> <p>Test contact voltage and current:</p> <p>24 V DC max., 10 mA max.</p> <p>Final measurements:</p> <p>Test 1 – visual inspection</p> <p>Test 2 – functional tests</p> <p>Test 6 – sealing</p>			<p>According to Table 8</p> <p>No cracks or other deterioration</p> <p>According to Table 4</p> <p>According to Table 8</p>
	Vibration (D) Survival	<p>Subclause 6.18</p> <p>Test switch type and standard test coil number: according to Table 5</p> <p>Test coil voltage: 150 % of must-operate</p> <p>Axis of mounting:</p>	6	0	<p>The movable contact shall be located in the transverse direction</p>

Test no.	Test	Test conditions according to IEC 62246-1:2015	Sample size	Acceptable number of failures	Performance requirements
		Vibration conditions: Application: three directions Frequency: 5 Hz to 150 Hz Number of sweeps per direction: 3 Sweep rate: 1 octave/min \pm 10 % Test duration: min. 5 h each Peak to peak values: Vertical direction: 7,90 (m/s ²) Transverse direction: 3,5 (m/s ²) Longitudinal direction: 5,50 (m/s ²) Test contact voltage and current: 24 V DC max., 10 mA max. Final measurements: Test 1 – visual inspection Test 2 – functional tests Test 6 – sealing			No cracks or other deterioration According to Table 4 According to Table 8
17	Shock (D) Functional	Subclause 6.19 Test switch type and standard test coil number: According to Table 5 Test coil voltage: 150 % of must-operate Axis of mounting: Shock conditions: Application: three directions Number of shocks: 18 (three positive and three negative in each of the three orthogonal planes) Duration: 11 ms Test contact voltage and current: 24 V DC max., 10 mA max. Final measurements: Test 1 – visual inspection Test 2 – functional tests Test 6 – sealing	6	0	No opening of closed contact circuit with energization condition, or closing of opened contact circuit shall exceed 10 μ s The movable contact shall be located in the transverse direction According to Table 8
		Test 1 – visual inspection Test 2 – functional tests Test 6 – sealing			No cracks or other deterioration According to Table 4 According to Table 8
		Subclause 6.19 Test switch type and standard test coil number: according to Table 5 Test coil voltage: 150 % of must-operate Axis of mounting:			No cracks or other deterioration The movable contact shall be located in the transverse direction

Test no.	Test	Test conditions according to IEC 62246-1:2015	Sample size	Acceptable number of failures	Performance requirements
		Shock conditions: Application: three directions Number of shocks: 18 (three positive and three negative in each of the three orthogonal planes) Duration: 11 ms Final measurements: Test 1 – visual inspection Test 2 – functional tests Test 6 – sealing			According to Table 8 According to Table 4 According to Table 4 According to Table 8
18	Electrical endurance (D)	Subclause 6.22 Test switch type and standard test coil number: Test coil voltage: 150 % of must-operate Coil suppression: N/A Duty cycle: 50 % Switching load conditions: Monitoring conditions: Final measurements: Test 3 – contact circuit resistance Test 2 – functional tests Test 4 – dielectric test	10	10	Estimation of B_{10} values According to Table 5 According to Tables 5, 6 and Annex D According to Tables 5 and 6 At each cycle during the test According to Table 4 According to Table 4 According to 5.1.4
19	Mechanical endurance (D)	Subclause 6.23 Test switch type and standard test coil number:	20	1	There shall be no broken parts
		Test coil voltage: 150 % of must-operate Coil suppression: N/A Duty cycle: 50 % Number of cycles per s: 50 to 60 Periodic measurements: 1×10^6 ; 3×10^6 ; 5×10^6 ; 7×10^6 ; 1×10^7 ; 3×10^7 ; 5×10^7 ; 7×10^7 ; and 10^8			According to Table 5
		Limits for failure to make: Limits for failure to break: Test 3 – contact circuit resistance			± 20 % change of must-operate value for heavy-duty reed switches ± 15 % change of must-operate value for reed switches 50 % change of must-release value for heavy-duty reed switches 30 % changes of must-release value for reed switches According to Table 4

Test no.	Test	Test conditions according to IEC 62246-1:2015	Sample size	Acceptable number of failures	Performance requirements
		Test 2 – functional tests			According to Table 4
20	Maximum cycling frequency	Subclause 6.24, Procedure Test switch type and standard test coil number: Test coil voltage: 150 % of must-operate Maximum bounce time: 3 ms Coil suppression: N/A Duty cycle: 50 % Maximum cycling frequency per s: 60	6	0	According to Table 5 According to Table 4
21	Contact reliability test (D)	Subclause 6.28 Test switch type and standard test coil number: Test coil voltage: 150 % of must-operate Coil suppression: N/A Duty cycle: 50 % Switching load conditions: Monitoring conditions: Final measurements: Test 3 – contact-circuit resistance Test 2 – functional tests	20	0	According to Table 5 According to Table 6 According to Table 6 At each operating cycle According to Table 4 According to Table 4

Table 2 (2 of 5)

Specific tests for Variant A of heavy-duty reed switches only

Test no.	Test	Test conditions according to IEC 62246-1:2015	Sample size	Acceptable number of failures	Performance requirements
A1	Vibration (D) Functional	<p>Clause 8 of IEC 61373:2010 applies</p> <p>Test switch type and standard test coil number: according to Table 5</p> <p>Test coil voltage: 150 % of must-operate</p> <p>Axis of mounting:</p> <p>Vibration conditions:</p> <p>Application: three directions</p> <p>Frequency: 5 Hz to 150 Hz</p> <p>Number of sweeps per direction: 3</p> <p>Sweep rate: 1 octave/min \pm 10 %</p> <p>Total duration: approx. 3 \times 10 min</p> <p>Peak to peak values:</p> <p>Vertical direction: 1,00 (m/s²)</p> <p>Transverse direction: 0,45 (m/s²)</p> <p>Vertical direction: 0,70 (m/s²)</p> <p>Test contact voltage and current: max. 24 V DC, max. 10 mA</p> <p>Final measurements:</p> <p>Test 1 – visual inspection</p> <p>Test 2 – functional tests</p> <p>Test 6 – sealing</p>	6	0	<p>No opening of closed contact circuit with energization condition or closing of opened contact circuit shall exceed 10 μs</p> <p>The movable contact shall be located in the transverse direction</p> <p>No cracks or other deterioration</p> <p>According to Table 4</p> <p>According to Table 8</p>
A2	Shock (D)	<p>Clause 10 of IEC 61373:2010 applies</p> <p>Test switch type and standard test coil number: according to Table 5</p> <p>Test coil voltage: 150 % of must-operate</p> <p>Axis of mounting:</p> <p>Shock conditions:</p> <p>Application: three directions</p> <p>Number of shocks: 18 (three positive and three negative in each of the three orthogonal planes)</p> <p>Duration: 25 ms</p> <p>Peak acceleration values:</p> <p>Vertical direction: 30 (m/s²)</p> <p>Transverse direction: 30 (m/s²)</p> <p>Longitudinal direction: 50 (m/s²)</p> <p>Test contact voltage: max. 24 V DC</p> <p>Test contact current: max. 10 mA</p> <p>Final measurements:</p> <p>Test 1 – visual inspection</p> <p>Test 2 – functional tests</p> <p>Test 6 – sealing</p>	6	0	<p>No opening of closed contact circuit with energization condition or closing of opened contact circuit shall exceed 10 μs</p> <p>The movable contact shall be located in the transverse direction</p> <p>No cracks or other deterioration</p> <p>According to Table 4</p> <p>According to Table 8</p>

Table 2 (3 of 5)

Specific tests for Variant A of heavy-duty reed switches only

Test no.	Test	Test conditions according to IEC 62246-1:2015	Sample size	Acceptable number of failures	Performance requirements
A3	Making and breaking capacities (D)	Subclause 6.26 Test switch type and standard test coil number: Test coil voltage: 150 % of must-operate Coil suppression: N/A Contact ratings: Monitoring conditions: Final measurements: Test 3 – contact circuit resistance If applicable: Test 2 – functional tests Test 4 – dielectric test	3	0	According to Table 5 According to Table 6 At each cycle during the test According to Table 4 According to Table 4

Table 2 (4 of 5)

Specific tests for Variant A of heavy-duty reed switches only

Test no.	Test	Test conditions according to IEC 62246-1:2015	Sample size	Acceptable number of failures	Performance requirements
A4	Conditional short circuit current test(D)	<p>Subclause 6.27</p> <p>Test switch type and standard test coil number:</p> <p>Test coil voltage: 150 % of must-operate</p> <p>Coil suppression: N/A</p> <p>Type of SCPD: quick acting high-breaking capacity fuse type FH in accordance with IEC 60127-2:2014, standard sheet 1.</p> <p>Ratings of SCPD: 5 A, 250 V</p> <p>Test voltage: 264 V AC or 115 V DC</p> <p>RMS test current: 20 A AC and DC</p> <p>Minimum time interval between tests: 3 min</p> <p>Number of tests: 3</p> <p>Final measurements:</p> <p>Test 1 – visual test</p> <p>Test 2 – functional tests</p> <p>Test 4 – dielectric test</p>	3	0	<p>According to Table 5</p> <p>According to Table 8</p> <p>No cracks or other deterioration</p> <p>According to Table 4</p> <p>According to Table 4</p>
A5	Temperature rise (ND)	<p>Subclause 6.29</p> <p>Test switch type and standard test coil number:</p> <p>Test coil voltage: 150 % of must-operate</p> <p>Coil suppression: N/A</p> <p>Testing current:</p> <p>Measurement positions: terminals</p> <p>Measurement duration: 1,5 h</p> <p>Final measurements:</p> <p>Test 1 – visual test</p> <p>Test 3 – contact circuit resistance</p> <p>Test 2 – functional test</p>	3	0	<p>According to Table 5</p> <p>According to Table 4</p> <p>No damage or other deterioration</p> <p>According to Table 4</p> <p>According to Table 4</p>

Table 2 (5 of 5)

Specific tests for Variant A and B of heavy-duty reed switches only

Test no.	Test	Test conditions according to IEC 62246-1:2015	Sample size	Acceptable number of failures	Performance requirements
A6	Making current capacity (D)	Subclause 6.30 Test switch type and standard test coil number: Test coil voltage: 150 % of must-operate Coil suppression: N/A Making load conditions: Monitoring conditions: Monitoring times: $t_1 = 400$ ms, $\tau_1 = 50$ ms Test 3 – contact circuit resistance If applicable: Test 2 – functional tests Test 4 – dielectric test	6	0	According to Table 5 According to Table 6 At each operating cycle According to Table 4 According to Table 4
A7	Breaking current capacity (D)	Subclause 6.31 Test switch type and standard test coil number: Test coil voltage: 150 % of must-operate Coil suppression: N/A Breaking load conditions: Monitoring conditions: Monitoring times: $t_2 = 400$ ms, $\tau_2 = 50$ ms Test 3 – contact circuit resistance If applicable: Test 2 – functional tests Test 4 – dielectric test	6	0	According to Table 5 According to Table 6 At each operating cycle According to Table 4 According to Table 4

Specific test for Variant B of heavy-duty reed switches only

Test no.	Test	Test conditions according to IEC 62246-1:2015	Sample size	Acceptable number of failures	Performance requirements
B1	Surge withstand test (D)	Subclause 6.25 Test voltage: 3 000 V Test voltage wave form: 1,2 µs × 50 µs Number of pulses: 6 pulses (three positive and three negative) Final measurements: Test 1 – visual test Test 2 – functional tests Test 4 – dielectric test	3	0	According to Table 6 No cracks or other deterioration According to Table 4 According to Table 4

Table 3 – Sampling and test schedule of type test (grouping)

At least 170 reed switches shall pass the tests in Group 1. Samples taken from the 170 specimens shall then be subjected to the tests of Groups 2 to 14 as applicable.

Test	Conditions and requirements of tests			Sample size	Acceptable number of failures during test
	Test conditions according to IEC 62246-1:2015				
	Subclause	Particular test conditions	Test no. and description in Table 2		

Group 1

Visual inspection	6.4		1	170	0
Functional tests	6.5	Procedure 1	2		
Contact circuit resistance	6.7		3		
Dielectric test	6.8		4		
Operating times	6.10		5		
Sealing	6.21		6		

Group 2

Remanence test	6.6		7	6	0
Insulation resistance	6.9		8	6	0
Contact sticking	6.11	Procedure 1	9	6	0

Group 3

Robustness of terminals	6.12		10	6	0
Soldering	6.13		11	6	0
Climatic sequence	6.14		12	6	0

Group 4

Damp heat, steady state	6.15		13	6	0
Rapid change of temperature	6.16		14	6	0
Salt mist	6.17		15	6	0

Group 5

Vibration	6.18	IEC 60068-2-6	16	12	0
Shock	6.19		17	12	0

Group 6

Electrical endurance test	6.22	Table 3	18	10	10
---------------------------	------	---------	----	----	----

Group 7

Mechanical endurance test	6.23		19	20	1
---------------------------	------	--	----	----	---

Group 8

Maximum cycling frequency	6.24		20	6	0

Group 9

Contact reliability test	6.28		21	20	0
--------------------------	------	--	----	----	---

Group 10 (Variant A of heavy-duty reed switches only)

Vibration test	6.18	IEC 61373:2010	A1	6	0
Shock test	6.19	IEC 61373:2010	A2	6	0

Group 11 (Variant A of heavy-duty reed switches only)

Making and breaking capacities	6.26		A3	3	0
--------------------------------	------	--	----	---	---

Group 12 (Variant A of heavy-duty reed switches only)

Conditional short-circuit current test	6.27		A4	3	0
Temperature rise test	6.29		A5	3	0

Group 13 (Variant A and B of heavy-duty reed switches only)

Making current capacity test	6.30	Table 5	A6	6	0
Breaking current capacity test	6.31	Table 5	A7	6	0

Group 14 (Variant B of heavy-duty reed switches only)

Surge withstand test	6.25		B1	3	0
----------------------	------	--	----	---	---

Table 4 – Quality conformance inspection (1 of 7)**Group A
Subgroup A0**

For all tests in this subgroup: 100 % test.

Test no.	Test	Test conditions according to IEC 62246-1:2015	Performance requirements
A0 – 1	Visual inspection and check of dimensions (ND)	Subclause 6.4	According to Table 4 Marking as specified in 6.1
A0 – 2	Functional tests (ND)	Subclause 6.5, Procedure 1 Application points and standard test coil number: Must-operate value: Saturate value: 150 % of must-operate Must-release value: Contact failure-to-make and failure-to-break by monitoring a current, typically, 10 mA at 24 V DC max.	According to Table 5 According to Table 4
A0 – 3	Contact circuit resistance (ND)	Subclause 6.7 Application points: terminals of closed contacts Standard test coil number: Test coil voltage: 150 % of must-operate Test voltage max.: 6 V DC or 6 V AC Test current max.: 1 A	Initial value according to Table 4 According to Table 5
A0 – 4	Dielectric test (ND)	Subclause 6.8 Application points and test voltage: Duration of test: 1 min NOTE A shorter test with a higher voltage can be stated in the detail specification.	According to Table 4 Maximum leakage current: 0,5 mA
A0 – 5	Operating times (ND)	Subclause 6.10 Application points and standard test coil number: Test coil voltage: 150 % of must-operate 1) operate time 2) release time 3) operate bounce time Contact failure-to-make and failure-to-break by monitoring a current, typically 10 mA at 24 V DC max.	According to Table 5 According to Table 4
A0 – 6	Sealing (ND)	Subclause 6.21 Application points and standard test coil number: Arc time during test for heavy-duty reed switches: Test coil voltage: 150 % of must-operate Test voltage: 100 V DC to 110 V DC Test current: 0,5 A to 0,55 A Total number of operations required: 3 Leak test for reed switches and high voltage reed switch.	According to Table 5 According to Table 8

Table 4 (2 of 7)

Subgroup A4 (period: inspection lot refers to the production volume in one month)

Test no.	Test	Test conditions according to IEC 62246-1:2015	IL	AQL	Performance requirements		
1	Visual inspection and check of dimensions (ND)	Subclause 6.4			According to Table 4 Marking as specified in 6.1		
2	Functional tests (ND)	Subclause 6.5, Procedure 1 Application points and standard test coil number: Must-operate value: Saturate value: 150 % of must-operate Must-release value: Contact failure-to-make and failure-to-break by monitoring a current, typically 10 mA at 24 V DC max.			According to Table 5 According to Table 4		
3	Contact-circuit resistance (ND)	Subclause 6.7 Application points: terminals of closed contacts Standard test coil number: Test coil voltage: 150 % of must-operate Test voltage max. 6 V DC or 6 V AC Test current max.: 1 A			Initial value according to Table 4 According to Table 5		
4	Dielectric test (ND)	Subclause 6.8 Application points and test voltage: Duration of test: 1 min NOTE A shorter test with a higher voltage can be stated in the detail specification.			S4	1,0	According to Table 4 Maximum leakage current: 0,5 mA
5	Operating times (ND)	Subclause 6.10 Application points and standard test coil number: Test coil voltage: 150 % of must-operate 1) operating time: 2) release time: 3) operate bounce time: Contact failure-to-make and failure-to-break by monitoring a current, typically 10 mA at 24 V DC max.			According to Table 5 According to Table 4		
6	Sealing (ND)	Subclause 6.21 Application points and standard test coil number: Arc time during test for heavy-duty reed switches: Test coil voltage: 150 % of must-operate Test voltage: 100 V DC to 110 V DC Test current: 0,5 A to 0,55 A Total number of operations required: 3 Leak test for reed switches and high-voltage vacuum reed switch			According to Table 5 According to Table 8		

Table 4 (3 of 7)**Subgroup B1** (period: inspection lot refers to the production volume of one month)

Test no.	Test	Test conditions according to IEC 62246-1:2015	IL	AQL	Performance requirements
7	Contact reliability test (D)	Subclause 6.28 Test switch type and standard test coil number: Test coil voltage: 150 % of must-operate Coil suppression: N/A Duty cycle: 50 % Switching load conditions: Monitoring conditions: Final measurements: Test 3 – contact circuit resistance Test 2 – functional tests	S3	2,5	According to Table 5 According to Table 6 According to Table 6 At each cycle during the test According to Table 4 According to Table 4

Subgroup C1 (period: one year)

Test no.	Test	Test conditions according to IEC 62246-1:2015	Sample size	Acceptable number of failures	Performance requirements
8	Robustness of terminals (D)	<p>Subclause 6.12 (in accordance with IEC 60068-2-21)</p> <p>Procedure: test Ua1 – tensile</p> <p>Final measurements:</p> <p>Test 1 – visual inspection</p> <p>Test 2 – functional tests</p> <p>Test 6 – sealing</p>	6	0	<p>According to Table 4</p> <p>No breaking or loosening of terminals</p> <p>No cracks or other deterioration</p> <p>According to Table 4</p> <p>According to Table 8</p>
9	Soldering (D)	<p>Subclause 6.13 (in accordance with IEC 60068-2-20, test Ta, method 1)</p> <p>Temperature: $(250 \pm 5) ^\circ\text{C}$</p> <p>Duration: $(2 \pm 0,5) \text{ s}$</p> <p>Application point: 5 mm from the glass-to-metal seals</p> <p>Subclause 6.13 (in accordance with IEC 60068-2-20, test Ta, method 2)</p> <p>Temperature: $(350 \pm 5) ^\circ\text{C}$</p> <p>Duration: $(3 \pm 0,5) \text{ s}$</p> <p>Application point: 5 mm from the glass-to-metal seals</p> <p>Final measurements:</p> <p>Test 1 – visual test</p> <p>Test 2 – functional tests</p> <p>Test 6 – sealing</p>	5	0	<p>The dipped surface shall be 95 % covered with new solder coating, the remaining 5 % may contain only small pinholes</p> <p>No cracks or other deterioration</p> <p>According to Table 4</p> <p>According to Table 8</p>

Table 4 (4 of 7)**Subgroup C1** (period: one year)

Test no.	Test	Test conditions according to IEC 62246-1:2015	Sample size	Acceptable number of failures	Performance requirements
10	Rapid change of temperature (D)	<p>Subclause 6.16 (in accordance with IEC 60068-2-14)</p> <p>Low temperature:</p> <p>– 50 °C for heavy-duty reed switches</p> <p>– 40 °C for reed switches and high voltage vacuum reed switch</p> <p>Temperature:</p> <p>100 °C for heavy-duty reed switches</p> <p>125 °C for reed switches and high voltage vacuum reed switch</p> <p>Exposure time:</p> <p>20 min for heavy-duty reed switches</p> <p>30 min for reed switches and high voltage vacuum reed switch</p> <p>Transition time:</p> <p>1 min for heavy-duty reed switches</p> <p>15 min for reed switches and high voltage reed switch</p> <p>Number of cycles:</p> <p>10 for heavy-duty reed switches</p> <p>5 for reed switches and high voltage vacuum reed switch</p> <p>Final measurements:</p> <p>Test 4 – dielectric test</p> <p>Test 2 – functional tests</p> <p>Test 3 – contact circuit resistance</p> <p>Test 1 – visual inspection</p> <p>Test 6 – sealing test</p>	6	0	<p>According to Table 4</p> <p>No cracks or other deterioration</p> <p>According to Table 8</p> <p>According to Table 4</p> <p>According to Table 8</p>

Table 4 (5 of 7)

Subgroup C1 (period: one year, manufacturer specifies the intervals for Test no. 12)

Test no.	Test	Test conditions according to IEC 62246-1:2015	Sample size	Acceptable number of failures	Performance requirements
11	Vibration (D) Functional	<p>Subclause 6.18</p> <p>Test switch type and standard test coil number: according to Table 5</p> <p>Test coil voltage: 150 % of must-operate</p> <p>Axis of mounting:</p> <p>Vibration conditions:</p> <p>Application: three directions</p> <p>Number of sweeps per direction: 3</p> <p>Sweep rate: 1 octave/min ± 10 %</p> <p>Total duration: approx. 3 × 10 min</p> <p>Test contact voltage and current: 24 V DC max., 10 mA max.</p> <p>Final measurements:</p> <p>Test 1 – visual inspection</p> <p>Test 2 – functional tests</p> <p>Test 6 – sealing</p>	6	0	<p>No opening of closed contact circuit with energization condition or closing of opened contact circuit shall exceed 10 µs</p> <p>The movable contact shall be located in the transverse direction</p> <p>According to Table 8</p> <p>No cracks or other deterioration</p> <p>According to Table 4</p> <p>According to Table 8</p>
12	Electrical endurance (D)	<p>Subclause 6.22</p> <p>Test switch type and standard test coil number:</p> <p>Test coil voltage: 150 % of must-operate</p> <p>Coil suppression: N/A</p> <p>Duty cycle: 50 %</p> <p>Switching load conditions:</p> <p>Monitoring conditions:</p> <p>Final measurements:</p> <p>Test 3 – contact circuit resistance</p> <p>Test 2 – functional tests</p> <p>Test 4 – dielectric test</p>	5	5	<p>Estimation of B_{10} values</p> <p>According to Table 5</p> <p>According to Tables 5 and 6</p> <p>According to Tables 5 and 6</p> <p>At each cycle during the test</p> <p>According to Table 4</p> <p>According to Table 4</p> <p>According to 5.1.4</p>

Table 4 (6 of 7)**Subgroup C4** (period: at least once every two years)

Test no.	Test	Test conditions according to IEC 62246-1:2015	Sample size	Acceptable number of failures	Performance requirements
13	Shock (D) Functional	<p>Subclause 6.19</p> <p>Test switch type and standard test coil number: according to Table 5</p> <p>Test coil voltage: 150 % of must-operate</p> <p>Axis of mounting:</p> <p>Shock conditions:</p> <p>Application: three directions</p> <p>Number of shocks: 18 (three positive and three negative in each of the three orthogonal planes)</p> <p>Duration: 11 ms</p> <p>Test contact voltage and current: 24 V DC max., 10 m A max.</p> <p>Final measurements:</p> <p>Test 1 – visual inspection</p> <p>Test 2 – functional tests</p> <p>Test 6 – sealing</p>	6	0	<p>No opening of closed contact circuit with energization condition, or closing of opened contact circuit shall exceed 10 μs</p> <p>The movable contact shall be located in the transverse direction</p> <p>According to Table 8</p> <p>No cracks or other deterioration</p> <p>According to Table 4</p> <p>According to Table 8</p>
14	Mechanical endurance (D)	<p>Subclause 6.23</p> <p>Test switch type and standard test coil number:</p> <p>Test coil voltage: 150 % of must-operate</p> <p>Coil suppression: N/A</p> <p>Duty cycle: 50 %</p> <p>Number of cycles per s: 50 to 60</p> <p>Periodic measurements: 1×10^6; 3×10^6; 5×10^6; 7×10^6; 1×10^7; 3×10^7; 5×10^7; 7×10^7; and 10^8</p> <p>Limits for failure to make:</p> <p>Limits for failure to break:</p> <p>Test 3 – contact circuit resistance</p> <p>Test 2 – functional tests</p>	20	1	<p>There shall be no broken parts</p> <p>According to Table 5</p> <p>± 20 % change of must-operate value for heavy-duty reed switches</p> <p>± 15 % change of must-operate value for reed switches</p> <p>50 % change of must-release value for heavy-duty reed switches</p> <p>30 % change of must-release value for reed switches</p> <p>According to Table 4</p> <p>According to Table 4</p>

Table 4 (7 of 7)

Subgroup C4 (period: at least once every two years)

Test no.	Test	Test conditions according to IEC 62246-1:2015	Sample size	Acceptable number of failures	Performance requirements
15	Making current capacity test (D) Heavy-duty reed switches only	Subclause 6.30 Test switch type and standard test coil number: Test coil voltage: 150 % of must-operate Coil suppression: N/A Making load conditions: Monitoring conditions: Monitoring times: $t_1 = 400$ ms, $\tau_1 = 50$ ms Test 3 – contact circuit resistance If applicable: Test 2 – functional tests Test 4 – dielectric test	6	0	According to Table 5 According to Table 6 At each cycle during the test According to Table 4 According to Table 4 According to Table 4
16	Breaking current capacity test (D) Heavy-duty reed switches only	Subclause 6.31 Test switch type and standard test coil number: Test coil voltage: 150 % of must-operate Coil suppression: N/A Breaking load conditions: Monitoring conditions: Monitoring times: $t_2 = 400$ ms, $\tau_2 = 50$ ms Test 3 – contact circuit resistance If applicable: Test 2 – functional tests Test 4 – dielectric test	6	0	According to Table 5 According to Table 6 At each cycle during the test According to Table 4 According to Table 4 According to Table 4
17	Surge withstand test (D) Variant B of heavy-duty reed switches only	Subclause 6.25 Test voltage: 3 000 V Test voltage wave form: $1,2 \mu\text{s} \times 50 \mu\text{s}$ number of pulses: 6 pulses (three positive and three negative) Final measurements: Test 1 – visual test Test 2 – functional tests Test 4 – dielectric test	3	0	According to Table 6 No cracks or other deterioration According to Table 4 According to Table 4

5 Characteristic values of the reed switches

5.1 Contact data

5.1.1 Failure criteria

Failure criteria are stated in Tables 5 to 7 for: limits for failure to make of a closed contact, limits for failure to break of an open contact.

In addition a contact fault due to a short circuit between any break and make contact constitutes a defective (see 5.2.2).

Recording of failure mode is necessary.

Table 5 – Variant A of reed switches (1 of 2)

		Reed switches (NO)				High-voltage vacuum	Reed switch (NC)
Limiting continuous current (A)		0,3	0,4	1,0	2,0	2,5	0,5
Contact reliability	Switching load	5 V DC, 0,1 mA (resistive load)					
	Limits for failure to make	Higher than 0,5 V DC between contacts					
	Limits for failure to break	Lower than 4,5 V DC between contacts					
	Number of switching cycles ^a	Min. 10 000 000					
	Switching cycle frequency	Not more than 100 per second				50 per second	
	Monitoring times	$t_1 = 2 \text{ ms}, \tau_1 = 0,1 \text{ ms}, t_2 = 2 \text{ ms}, \tau_2 = 0,2 \text{ ms}$				$t_1 = 5 \text{ ms}, \tau_1 = 0,1 \text{ ms}, t_2 = 5 \text{ ms}, \tau_2 = 0,1 \text{ ms}$	

Table 5 (2 of 2)

Reed switch types		Reed switches (NO)				High-voltage vacuum	Reed switch (NC)	
Limiting continuous current (A)		0,3	1,0	0,4	1,0	2,0	2,5	0,5
Electrical endurance	Making and breaking load	5 V DC, 5 mA	12 V DC, 10 mA	5 V DC, 10 mA		12 V DC, 3,4 W	350 V DC, 1 mA	5 V DC, 5 mA
	Limits for failure to make	Higher than 0,25 V DC between contacts	Higher than 0,6 V DC between contacts	Higher than 25 Ω between contacts		Higher than 2 Ω between contacts	Higher than 17,5 V DC between contacts	Higher than 0,25 V DC between contacts
	Limits for failure to break	Lower than 0,25 V DC between contacts	Lower than 11,4 V DC between contacts	Lower than 9,52 Ω between contacts		Lower than 1 Ω between contacts	Lower than 332,5 V DC between contacts	Lower than 4,75 V DC between contacts
	Switching cycle frequency	Not more than 100 per second				Not more than 30 per second	Not more than 50 per second	
	Monitoring times	$t_1 = 2 \text{ ms}, \tau_1 = 0,1 \text{ ms}, t_2 = 2 \text{ ms}, \tau_2 = 0,2 \text{ ms}$		$t_1 = 5 \text{ ms}, \tau_1 = 0,1 \text{ ms}, t_2 = 2 \text{ ms}, \tau_2 = 0,2 \text{ ms}$		$t_1 = 0,5 \text{ s}, \tau_1 = X,X \text{ ms}, t_2 = 2 \text{ s}, \tau_2 = X,X \text{ ms}$	$t_1 = 5 \text{ ms}, \tau_1 = 0,1 \text{ ms}, t_2 = 2 \text{ ms}, \tau_2 = 0,2 \text{ ms}$	
	Life expectancy _{a,b}	10 000 000 switching cycles		1 000 000 switching cycles	50 000 000 switching cycles	50 000 switching cycles	10 000 000 switching cycles	

Table 6 – Variant A of heavy-duty reed switches (1 of 2)

Reed switch types		Heavy-duty reed switches	
Limiting continuous current (A)		3,0	5,0
Contact reliability	Switching load	24 V DC, 1 mA (resistive load)	
	Limits for failure to make	Higher than 1,2 V DC between contacts	
	Limits for failure to break	Lower than 22,8 V DC between contacts	
	Number of switching cycles ^a	Min. 5 000 000	
	Switching cycle frequency	10 per second max.	
	Monitoring times	$t_1 = 30$ ms, $\tau_1 = 20$ ms, $t_2 = 30$ ms, $\tau_2 = 20$ ms	
Electrical endurance	Making and breaking load	24 V DC, 37 mA L/R = 7 ms	
	Limits for failure to make	Higher than 1,2 V DC between contacts	
	Limits for failure to break	Lower than 22,8 V DC between contacts	
	Switching cycle frequency	10 per second max.	
	Monitoring times	$t_1 = 30$ ms, $\tau_1 = 20$ ms, $t_2 = 30$ ms, $\tau_2 = 20$ ms	
	Life expectancy ^{a,b}	15 000 000 switching cycles	30 000 000 switching cycles
Electrical endurance (AC inductive load (contactor coil, solenoid valve))	Making and breaking load	240 V AC, 5 A make ($\cos \varphi = 0,7$) and 0,5 A break ($\cos \varphi = 0,4$)	240 V AC, 10 A make ($\cos \varphi = 0,7$) and 1,0 A break ($\cos \varphi = 0,4$)
	Limits for failure to make	Lower than 120 V AC between contacts (Monitoring relay function connected in parallel with switching load)	
	Limits for failure to break	Higher than 72 V AC between contacts (Monitoring relay function connected in parallel with switching load)	
	Switching cycle frequency	1 per second max.	
	Monitoring times	$t_1 = 400$ ms, $\tau_1 = 50$ ms, $t_2 = 400$ ms, $\tau_2 = 50$ ms	
	Life expectancy ^{a,b}	1 000 000 switching cycles	800 000 switching cycles
Electrical endurance (DC inductive load (contactor coil, solenoid valve))	Making and breaking load	115 V, 0,3 A (L/R = 40 ms)	115 V, 0,5 A (L/R = 100 ms)
	Limits for failure to make	Lower than 55 V DC between contacts (Monitoring relay function connected in parallel with switching load)	
	Limits for failure to break	Higher than 33 V DC between contacts (Monitoring relay function connected in parallel with switching load)	
	Switching cycle frequency	1 per second max.	
	Monitoring times	$t_1 = 400$ ms, $\tau_1 = 50$ ms, $t_2 = 400$ ms, $\tau_2 = 50$ ms	
	Life expectancy ^{a,b}	300 000 switching cycles	

Table 6 (2 of 2)

Reed switch types		Heavy-duty reed switches	
Limiting continuous current (A)		3,0	5,0
Making and breaking capacities	AC inductive load (contactor coil, solenoid valve)	120 V AC, 1,5 A; 240 V AC, 0,75 A (cos φ = 0,3)	120 V AC, 1,5 A; 240 V AC, 0,75 A; 600 V AC, 0,3 A (cos φ = 0,3)
	DC inductive load (contactor coil, solenoid valve ^a)	120 V DC, 0,55 A L/R = 40 ms	120 V DC, 0,55 A; 240 V DC, 0,27 A L/R = 100 ms
	Total number of cycles	6 050	
Making current capacity (AC inductive load)	Making load (cos φ = 0,3)	240 V AC, 15 A max.	240 V AC, 30 A max.
	Number of making cycles	Min. 10	
	Switching cycle frequency	6 per minute	
	Number of breaking cycles	Min. 10	
Breaking current capacity (AC inductive load)	Breaking load (cos φ = 0,3)	240 V AC, 15 A max.	240 V AC, 30 A max.
	Number of breaking cycles	Min. 10	
	Switching cycle frequency	6 per minute	
Breaking current capacity (DC inductive load)	Breaking load	120 V DC, 0,55 A max. L/R = 40 ms	240 V DC, 0,27 A max. L/R = 100 ms
	Number of breaking cycles ^a	Min. 10	
	Switching cycle frequency	6 per minute	
^a When using a DC circuit, the stationary contact shall be connected to the anode. ^b Based on the B_{10} values.			

Table 7 – Variant B of heavy-duty reed switches

Reed switch types		Heavy-duty reed switches	
Limiting continuous current (A)		3,0	5,0
Contact reliability	Switching load	24 V DC, 1 mA (resistive load)	1 V DC, 1 mA (resistive load)
	Limits for failure to make	Higher than 1,2 V DC between contacts	Higher than 0,05 V DC between contacts
	Limits for failure to break	Lower than 22,8 V DC between contacts	Lower than 0,95 V DC between contacts
	Number of switching cycles ^a	Min. 5 000 000	
	Switching frequency	Not more than 10 per second	
	Monitoring times	$t_1 = 30$ ms, $\tau_1 = 20$ ms, $t_2 = 30$ ms, $\tau_2 = 20$ ms	
Electrical endurance	Making and breaking load	24 V DC. 37 mA L/R = 7 ms	
	Limits for failure to make	Higher than 1,2 V DC between contacts	
	Limits for failure to break	Lower than 22,8 V DC between contacts	
	Switching frequency	Not more than 10 per second	
	Monitoring times	$t_1 = 30$ ms, $\tau_1 = 20$ ms, $t_2 = 30$ ms, $\tau_2 = 20$ ms	
	Life expectancy ^{a,b}	10 000 000 switching cycles	10 000 000 switching cycles
Electrical endurance (DC inductive load (contactor coil, solenoid valve))	Making and breaking load	115 V, 0,3 A (L/R = 40 ms)	115 V, 0,5 A (L/R = 40 ms)
	Limits for failure to make	Lower than 55 V DC between contacts (Monitoring relay function connected in parallel with switching load)	
	Limits for failure to break	Higher than 33 V DC between contacts (Monitoring relay function connected in parallel with switching load)	
	Switching frequency	Not more than 1 per second	
	Monitoring times	$t_1 = 400$ ms, $\tau_1 = 50$ ms, $t_2 = 400$ ms, $\tau_2 = 50$ ms	
	Life expectancy ^{a,b}	100 000 switching cycles	1 000 000 switching cycles
Making current capacity (DC inductive load)	Making load (L/R = 5 ms)	110 V DC, 15 A max.	220 V DC, 20 A max.
	Carrying time	0,5 s	
	Number of making cycles	Not less than 10 000	
	Switching frequency	6 per minute	
Breaking current capacity (DC inductive load)	Breaking load (L/R = 40 ms)	115 V DC, 0,5 A	220 V DC, 0,15 A max.
	Number of breaking cycles ^a	Not less than 100 000	
	Switching frequency	6 per minute	
^a When using a DC circuit, the stationary contact shall be connected to the anode.			
^b Based on the B_{10} values.			

5.1.2 Static contact-circuit resistance

500 mΩ max. at 1 A	initial value at rated testing voltage for heavy-duty reed switches,
100 mΩ max.	Initial value at rated testing voltage for reed switches,
1 Ω max. at 1 A	after contact reliability, electrical endurance, mechanical endurance and environmental tests at a test coil voltage of 150 % of must-operate,
1,2 kΩ max. at 1 mA	during contact reliability, electrical endurance, mechanical endurance and environmental tests at a test coil voltage of 150 % of must-operate.

5.1.3 Mechanical endurance

Minimum 10^8 switching cycles (10^7 switching cycles for Variant B of heavy-duty reed switches).

5.1.4 Final dielectric test

Immediately after the electrical endurance test, the reed switch shall pass a dielectric test. Leak-current of not more than 3 mA is permitted.

5.2 Environmental data

The reed switches shall withstand at least the environmental stresses specified in Table 8.

Table 8 – Environmental data for reed switches

Reed switch types		Reed switches	High-voltage vacuum	Heavy-duty reed switches
Operation of short circuit protective device (not applicable to Variant B)		N/A		Min. $20 A^2 s$
Robustness of terminals	Force	19,6 N		98 N
Soldering	Solderability	235 °C, 2 s		
	Resistance	350 °C, 3 s		
Sealing	Time constant of leakage ^a	2×10^4 s or 2×10^6 s		N/A
	Arcing time	N/A		(A) Less than 60 ms (B) Less than 100 ms
NOTE 1 (A) is 3 A type.				
NOTE 2 (B) is 5 A type.				
^a Refer to Qk of IEC 60068-2-17.				

5.3 Reliability – Failure rate data

The value stated in Table 9 for contact reliability shall be verified by type tests. During production, contact reliability shall be evaluated by the lot-by-lot tests in Table 1.

Table 9 – Reliability data for reed switches

Reed switch types		Reed switches High-voltage vacuum	Heavy-duty reed switches	
Contact reliability	Min. operational power ratings	5 V DC, 0,1 mA	24 V DC, 1 mA	24 V DC, 1 mA (1 V DC, 1 mA for Variant B)
	Failure rate ^a	Less than 5×10^{-9}		
^a The value of failure rate is based on a confidence level of 60 %.				

6 Marking and documentation

6.1 General

Reed switches and their package supplied in accordance with detail specification covered by this detail specification shall be marked as follows.

6.2 Marking of the reed switch

The marking shall be durable and easily legible, and include at least the following items unless otherwise specified in the detail specification.

- a) Coded reed switch type.
- b) Coded date of manufacture, for example year/month/week.
- c) Coded special AT, if necessary according to 6.4.

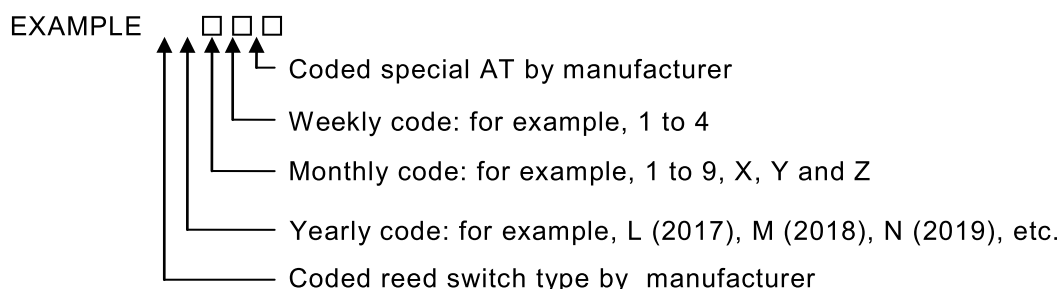
6.3 Marking of the packaging

The marking shall be durable and easily legible, and include at least the following items.

- a) Manufacturer's name, logo or trademark.
- b) Reed switch type and variant code.
- c) Manufacturer's batch identification code.
- d) Detail specification reference.
- e) Quantity.

6.4 Coded date of manufacturer

The marking system shall use five figures as shown in the following example, unless otherwise specified in the detail specification.



7 Preparation of blank detail and detail specification

Blank detail specifications shall conform to the test schedules given in Table 1 and the related explanations.

The blank detail and detail specifications as given in Annex A shall be used for the preparation and characteristic values of the reed switch which shall be included as given in Annex B. The values shall be adjusted by the manufacturer as appropriate.

Blank detail specifications shall give the following information or call for its inclusion in the detail specification:

- a) Identification of the detail specification.
- b) Identification of the reed switch and information on its applications; identification shall be provided by such properties as size, contact arrangement, polarized or not, or other characteristic required for identification.
- c) Outline drawing of the reed switch and key dimensions; variants, such as for glass or terminals, may be given in an annex to the detail specification.
- d) Reference data of the reed switch.
 - 1) A limited number of values is required on the front page to describe the overall performance of the reed switch.

2) Full information shall be added on one of the subsequent pages. Rated values preferably should be those listed therein. Where tests refer to rated values, this shall be indicated with each test. Where tests are to be performed at other than rated values, the test values shall be indicated and clearly distinguished from the rated values.

e) Normative references

Reference shall be made to the IEC 62246 series. When reference to further documents is necessary, such documents shall be listed with their full titles, year of edition and, unless common knowledge, the source from which they can be obtained.

f) Assessment level

Table 1 contains one test schedule. If additional tests not listed in Table 1 have been added, this shall be stated.

g) Periodicity of tests.

h) Formation of inspection lots, if predictable.

i) Order of tests, if deviating from 4.2.

j) General test conditions, if deviating from 4.9.

k) Qualification approval test schedule.

l) Quality conformance test schedule.

For each group of tests, the final measurements and post-test requirements specified in each of them may be summarized and stated at the end of the subgroup.

It shall be stated that samples subjected to destructive tests (D) shall not be released for delivery.

If application of SPC or ppm approach is required, this should be provided by the manufacturer.

m) Specification of IL numbers (groups A and B) and sample sizes (group C).

n) Specification of AQL numbers (groups A and B) and acceptable numbers of defectives (group C).

o) Marking of package and/or reed switches beyond those listed in this document, if necessary.

p) Ordering information

Additional information such as curves and drawings may be given in an annex to the detail specification. Such information is not required to be verified for test purposes.

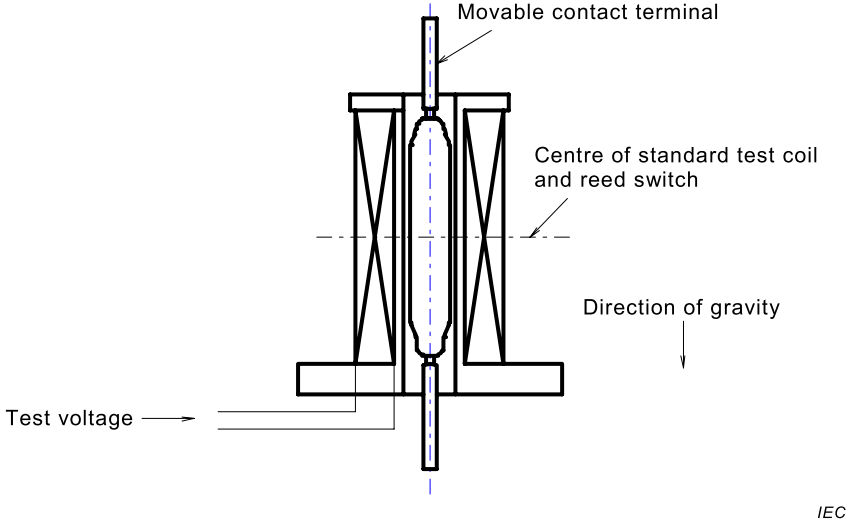
When preparing blank detail or detail specifications, the following procedures should be followed:

- select the tests to be performed from Table 1;
- if necessary, add any other necessary tests, required or not specified in IEC 62246-1.

Annex A
(normative)

Mounting in a standard coil

The reed switch direction and position that shall be used for testing are given in Figure A.1.



IEC

Figure A.1 – Switch direction and position in a standard coil

Annex B (normative)

Variants

Reed switches covered by this document are classified into two different variants as follows:

Variant A

This variant is characterized by particular requirements with respect to mechanical endurance.

Variant B

This variant is characterized by particular requirements with respect to dielectric voltage, impulse voltage and electrical endurance.

NOTE Typical applications for these variants are indicated in Annex C for information.

Annex C (informative)

Typical applications

Variant A

Reed switches of Variant A represent extremely reliable switching elements over a wide range of loads. They are suitable for a wide variety of industrial applications, in particular when subject to harsh environmental conditions (dust, oil, water, vibration, mechanical shock and low and high temperature) and have a high making and breaking capacity.

Typical fields of application are:

- a) Elevator control equipment, where reed switches can be used as contact elements of magnetic proximity switches.
For elevators, escalators and moving walks refer to national standards and where applicable ISO 22201 (all parts), when used in these applications.
- b) Railway control, signalling equipment and similar devices, where reed switches can be used as contact elements of control relays, door interlock switches, position switches and push-buttons.
- c) Machinery safety equipment, where reed switches can be used for example as contact elements of door interlock switches under harsh environments.
- d) Potentially hazardous atmosphere equipment, where reed switches as contact elements of control relays, limit switches, push-buttons and position switches etc. match the needs of explosion-proof equipment.
- e) Automobile, where reed switches can be used as liquid level sensors for fuel oil and engine oil, seat position detection, stop lamp switches, etc.
- f) Domestic and industrial appliances, where reed switches can be used as open/close detection of refrigerator doors, thermal sensor for rice cookers, cylinder sensor, etc.
- g) Health and leisure equipment, where reed switches can be used as step counter of pedometers, switching function of exercise machines, etc.
- h) Medical equipment, where reed switches can be used in portable and implantable devices, electric mobility equipment, etc.
- i) Security and safety equipment, where reed switches can be used for example as contact elements of fire and safety doors in public buildings.

Variant B

Heavy-duty reed switches of Variant B can be used for making, carrying and breaking high currents at high speed with high reliability. They also show an enhanced resistance against dielectric and impulse voltages.

Therefore, the main application is within measuring relays and protection equipment, particularly as part of high-voltage networks.

Annex D (informative)

Examples of blank detail and detail specifications

D.1 Key to front page

The numbers between brackets of the front page of the blank detail specification examples in Clause D.2 correspond to the following indications which should be given in D.2.1 to D.2.12.

Identification of the detail specification

- 1) The manufacturer name or trademark or, if applicable, the organization from which the detail specification is available.
- 2) Identification number of the detail specification.
- 3) The number and the year of availability of the IEC standard concerning test and measurement procedures for electromechanical all-or-nothing elementary relays and/or sectional specification; also national reference, if different.
- 4) Any further information, if required, together with any amendment numbers.

Identification of the reed switch

- 5) Type: variant A or B; normally open contact, normally close contact or change-over contact; reed switch, high voltage vacuum reed switch or heavy-duty reed switch.
- 6) Construction: sizes, for example dual-in-line, terminal and glass length, type of reed switch.
- 7) An outline drawing with main dimensions, which are of importance for interchangeability, and/or reference to the appropriate national or international document for outlines. Alternatively, this drawing may be given in an annex to the detail specification, but (7) should always contain an illustration of the general outer appearance of the component.
- 8) Typical field of applications.
- 9) Contact data of functional, contact resistance, operating times, insulation resistance, etc.
- 10) B_{10} values for maximum, small and minimum switching loads (available rated contact voltage, current and power) according to IEC 61810-2-1:2017.
- 11) Component climatic categories according to IEC 60068-1:2013.
- 12) Component environmental severities according to Annex A of IEC 60068-2-6:2007 IEC 60068-2-27:2008.
- 13) Standard test coil numbers according to Annex A of IEC 62246-1:2015, unless otherwise specified in the detail specification.

D.2 Examples of blank detail specifications

D.2.1 Blank detail specification (1)

(1)	(2)																																																	
Electronic components of assessed quality in accordance with: IEC 62246-1: 2015 IEC 62246-1-1: 2018	(3) (4)																																																	
Detail specification for application of reed switches of assessed quality, Limiting continuous current of 0,3 A																																																		
Type: Single-pole, single-throw (SPST) type, normally open contacts	(5)																																																	
Construction: terminals, diameter 0,3 mm for soldering hermetically sealed glass, diameter of 1,8 mm max. terminal length, 35,8 mm type.	(6)																																																	
Outline drawing Dimensions in millimetres	(7) (8)																																																	
<p>Nominal mass: Contact arrangement: 1 NO Finish of the terminals: Tinning</p>	<p>Application:</p> <p>The reed switch according to this document is provided for the operation in industrial applications for medical equipment^a, measuring instruments, EDP equipment and other applications.</p> <p>^a Hearing aid, capsular endoscope</p>																																																	
Contact data	(9) (10)																																																	
Must-release value (AT): 5 min. Must-operate value (AT): 10 to 50 Max. contact resistance (mΩ): 100 Max. operating time (ms): 0,5 Max. release time (ms): 0,1 Max. operate bounce time (ms): 0,5	Breakdown voltage: 150 V DC min. Insulation resistance: 1 000 MΩ min. Rated impulse voltage: N/A																																																	
<table border="1"> <thead> <tr> <th>B_{10} values (cycles)</th> <th>Load</th> <th>Type of load</th> <th>Voltage</th> <th>Current</th> <th>L/R</th> <th>(10)</th> </tr> </thead> <tbody> <tr> <td>N/A</td> <td>Max.</td> <td>Resistive</td> <td>10 V DC</td> <td>0,1 A DC</td> <td>1 ms</td> <td></td> </tr> <tr> <td>N/A</td> <td>Small</td> <td>Resistive</td> <td>5 V DC</td> <td>1 mA DC</td> <td>1 ms</td> <td></td> </tr> <tr> <td>N/A</td> <td>Min.</td> <td>Resistive</td> <td>10 mV DC</td> <td>10 μA DC</td> <td>1 ms</td> <td></td> </tr> <tr> <td>N/A</td> <td>Max.</td> <td>Resistive</td> <td>24 V AC</td> <td>40 mA AC</td> <td>1 ms</td> <td></td> </tr> <tr> <td>N/A</td> <td>Small</td> <td>Resistive</td> <td>N/A</td> <td>N/A</td> <td>1 ms</td> <td></td> </tr> <tr> <td>N/A</td> <td>Min.</td> <td>Resistive</td> <td>N/A</td> <td>N/A</td> <td>1 ms</td> <td></td> </tr> </tbody> </table>	B_{10} values (cycles)	Load	Type of load	Voltage	Current	L/R	(10)	N/A	Max.	Resistive	10 V DC	0,1 A DC	1 ms		N/A	Small	Resistive	5 V DC	1 mA DC	1 ms		N/A	Min.	Resistive	10 mV DC	10 μA DC	1 ms		N/A	Max.	Resistive	24 V AC	40 mA AC	1 ms		N/A	Small	Resistive	N/A	N/A	1 ms		N/A	Min.	Resistive	N/A	N/A	1 ms		
B_{10} values (cycles)	Load	Type of load	Voltage	Current	L/R	(10)																																												
N/A	Max.	Resistive	10 V DC	0,1 A DC	1 ms																																													
N/A	Small	Resistive	5 V DC	1 mA DC	1 ms																																													
N/A	Min.	Resistive	10 mV DC	10 μA DC	1 ms																																													
N/A	Max.	Resistive	24 V AC	40 mA AC	1 ms																																													
N/A	Small	Resistive	N/A	N/A	1 ms																																													
N/A	Min.	Resistive	N/A	N/A	1 ms																																													
Component climatic category according to IEC 60068-1:	40/125/21 (11)																																																	
Temperature range	– operating ambient temperature: –40 °C to 125 °C – storage temperature: –40 °C to 125 °C																																																	
Vibration: 196 m/s ² (20 g _n); 10 Hz to 2 000 Hz	(12)																																																	
Shock:	– functional 294 m/s ² (30 g _n), – survival 980 m/s ² (100 g _n)																																																	
No. 1 in Table A.1 of IEC 62246-1:2015, Annex A.	(13)																																																	

D.2.2 Blank detail specification (2)

(1)						(2)
Electronic components of assessed quality in accordance with: IEC 62246-1: 2015 IEC 62246-1-1: 2018	(3)					(4)
Detail specification for application of reed switches of assessed quality, Limiting continuous current of 0,4 A						
Type:	Single-pole, single-throw (SPST) type, normally open contacts					(5)
Construction:	terminals, diameter 0,35 mm for soldering hermetically sealed glass, diameter of 1,4 mm max. terminal length, 19,0 mm type.					(6)
Outline drawing Dimensions in millimetres	(7)				Application:	(8)
			The reed switch according to this document is provided for the operation in industrial applications for medical equipment ^a , measuring instruments, EDP equipment and other applications. ^a Capsular endoscope			
Nominal mass: Contact arrangement: 1 NO Finish of the terminals: Tinning						
Contact data	(9)				Breakdown voltage:	(10)
Must-release value (AT):	3 min.				Insulation resistance:	150 V DC min. 1 000 MΩ min.
Must-operate value (AT):	10 to 20				Rated impulse voltage:	N/A
Max. contact resistance (mΩ):	200				Rated contact voltage:	100 V DC
Max. operating time (ms):	0,5				Rated contact current:	0,4 A DC
Max. release time (ms):	0,05				Rated contact power:	3 VA max.
Max. operate bounce time (ms):	0,5				Min. operational power ratings:	N/A
B_{10} values (cycles)	Load	Type of load	Voltage	Current	L/R	(10)
N/A	Max.	Resistive	30 V DC	0,2 A DC	1 ms	
N/A	Small	Resistive	N/A	N/A	1 ms	
N/A	Min.	Resistive	N/A	N/A	1 ms	
Component climatic category according to IEC 60068-1:					40/125/21	(11)
Temperature range		- operating ambient temperature:		-40 °C to 125 °C		
		- storage temperature:		-40 °C to 125 °C		
Vibration:	294 m/s ² (30 g _n); 10 Hz to 2 000 Hz					(12)
Shock:	- functional 98 m/s ² (10g _n) - survival 294 m/s ² (30g _n)					
						(13)

D.2.3 Blank detail specification (3)

(1)	(2)																																																	
Electronic components of assessed quality in accordance with: IEC 62246-1: 2015 IEC 62246-1-1: 2018	(3) (4)																																																	
Detail specification for application of reed switches of assessed quality, Limiting continuous current of 0,3 A																																																		
Type: Single-pole, single-throw (SPST) type, normally open contacts	(5)																																																	
Construction: terminals, diameter 0,3mm for soldering hermetically sealed glass, diameter of 1,8 mm max. terminal length, 35,8 mm type.	(6)																																																	
Outline drawing Dimensions in millimetres	(7) (8)																																																	
<p>Nominal mass: Contact arrangement: 1 NO Finish of the terminals: Tinning</p>	<p>Application:</p> <p>The reed switch according to this document is provided for the operation in industrial applications for machinery safety equipment^a, automotive safety equipment^b hazardous atmosphere equipment^c, medical equipment^d and other applications.</p> <p>^a Cylinder sensor(position sensor) ^b Seat belt buckle sensor ^c Fuel level sensor, Gas stove sensor (detection of pots) ^d Hearing aid, capsule endoscope</p>																																																	
Contact data	(9) (10)																																																	
Must-release value (AT): 5 min. Must-operate value (AT): 10 to 50 Max. contact resistance (mΩ) 100 Max. operating time (ms): 0,5 Max. release time (ms): 0,1 Max. operate bounce time (ms): 0,5	Breakdown voltage: 150 V DC min. Insulation resistance: 1 000 MΩ min. Rated impulse voltage: N/A																																																	
<table border="1"> <thead> <tr> <th>B_{10} values (cycles)</th> <th>Load</th> <th>Type of load</th> <th>Voltage</th> <th>Current</th> <th>L/R</th> <th>(10)</th> </tr> </thead> <tbody> <tr> <td>1 million</td> <td>Max.</td> <td>Resistive</td> <td>10 V DC</td> <td>0,1 A DC</td> <td>1 ms</td> <td></td> </tr> <tr> <td>10 millions</td> <td>Small</td> <td>Resistive</td> <td>5 V DC</td> <td>1 mA DC</td> <td>1 ms</td> <td></td> </tr> <tr> <td>100 millions</td> <td>Min.</td> <td>Resistive</td> <td>10 mV DC</td> <td>10 μA DC</td> <td>1 ms</td> <td></td> </tr> <tr> <td>1 million</td> <td>Max.</td> <td>Resistive</td> <td>24 V AC</td> <td>40 mA AC</td> <td>1 ms</td> <td></td> </tr> <tr> <td>N/A</td> <td>Small</td> <td>Resistive</td> <td>N/A</td> <td>N/A</td> <td>1 ms</td> <td></td> </tr> <tr> <td>N/A</td> <td>Min.</td> <td>Resistive</td> <td>N/A</td> <td>N/A</td> <td>1 ms</td> <td></td> </tr> </tbody> </table>	B_{10} values (cycles)	Load	Type of load	Voltage	Current	L/R	(10)	1 million	Max.	Resistive	10 V DC	0,1 A DC	1 ms		10 millions	Small	Resistive	5 V DC	1 mA DC	1 ms		100 millions	Min.	Resistive	10 mV DC	10 μA DC	1 ms		1 million	Max.	Resistive	24 V AC	40 mA AC	1 ms		N/A	Small	Resistive	N/A	N/A	1 ms		N/A	Min.	Resistive	N/A	N/A	1 ms		
B_{10} values (cycles)	Load	Type of load	Voltage	Current	L/R	(10)																																												
1 million	Max.	Resistive	10 V DC	0,1 A DC	1 ms																																													
10 millions	Small	Resistive	5 V DC	1 mA DC	1 ms																																													
100 millions	Min.	Resistive	10 mV DC	10 μA DC	1 ms																																													
1 million	Max.	Resistive	24 V AC	40 mA AC	1 ms																																													
N/A	Small	Resistive	N/A	N/A	1 ms																																													
N/A	Min.	Resistive	N/A	N/A	1 ms																																													
Component climatic category according to IEC 60068-1:	40/125/21 (11)																																																	
Temperature range	– operating ambient temperature: –40 °C to 125 °C – storage temperature: –40 °C to 125 °C																																																	
Vibration:	196 m/s ² (20 g _n); 10 Hz to 2 000 Hz (12)																																																	
Shock:	– functional 294 m/s ² (30 g _n) – survival 980 m/s ² (100 g _n)																																																	
No. 1 in Table A.1 of IEC 62246-1:2015, Annex A.	(13)																																																	

D.2.4 Blank detail specification (4)

(1)	(2)																																																	
Electronic components of assessed quality in accordance with: IEC 62246-1: 2015 IEC 62246-1-1: 2018	(3) (4)																																																	
Detail specification for application of reed switches of assessed quality, Limiting continuous current of 1,0 A																																																		
Type: Single-pole, single-throw (SPST) type, normally open contacts	(5)																																																	
Construction: terminals, diameter 0,5 mm for soldering hermetically sealed glass, diameter of 2,5 mm max. terminal length, 44,3 mm type.	(6)																																																	
Outline drawing Dimensions in millimetres	(7) (8)																																																	
<p>Nominal mass: Contact arrangement: 1 NO Finish of the terminals: Tinning</p>	<p>Application:</p> <p>The reed switch according to this document is provided for the operation in industrial applications for hazardous atmosphere equipment^a, home electronics^b, measuring instruments and other applications.</p> <p>^a Gas meter (gas flow sensor, test switch, reset switch), boiler water flow sensor) ^b Automatic electric washing machine (lid detection sensor)</p>																																																	
Contact data	(9) (10)																																																	
Must-release value (AT): 5 min. Must-operate value (AT): 10 to 50 Max. contact resistance (mΩ): 100 Max. operating time (ms): 0,5 Max. release time (ms): 0,1 Max. operate bounce time (ms): 0,5	Breakdown voltage: 150 V DC min. Insulation resistance: 1 000 MΩ min. Rated impulse voltage: N/A																																																	
<table border="1"> <thead> <tr> <th>B_{10} values (cycles)</th> <th>Load</th> <th>Type of load</th> <th>Voltage</th> <th>Current</th> <th>L/R</th> <th>(10)</th> </tr> </thead> <tbody> <tr> <td>1 million</td> <td>Max.</td> <td>Resistive</td> <td>20 V DC</td> <td>0,5 A DC</td> <td>1 ms</td> <td></td> </tr> <tr> <td>10 millions</td> <td>Small</td> <td>Resistive</td> <td>5 V DC</td> <td>1 mA DC</td> <td>1 ms</td> <td></td> </tr> <tr> <td>100 millions</td> <td>Min.</td> <td>Resistive</td> <td>10 mV DC</td> <td>10 μA DC</td> <td>1 ms</td> <td></td> </tr> <tr> <td>1 million</td> <td>Max.</td> <td>Resistive</td> <td>100 V AC</td> <td>0,1 A AC</td> <td>1 ms</td> <td></td> </tr> <tr> <td>N/A</td> <td>Small</td> <td>Resistive</td> <td>N/A</td> <td>N/A</td> <td>1 ms</td> <td></td> </tr> <tr> <td>N/A</td> <td>Min.</td> <td>Resistive</td> <td>N/A</td> <td>N/A</td> <td>1 ms</td> <td></td> </tr> </tbody> </table>	B_{10} values (cycles)	Load	Type of load	Voltage	Current	L/R	(10)	1 million	Max.	Resistive	20 V DC	0,5 A DC	1 ms		10 millions	Small	Resistive	5 V DC	1 mA DC	1 ms		100 millions	Min.	Resistive	10 mV DC	10 μA DC	1 ms		1 million	Max.	Resistive	100 V AC	0,1 A AC	1 ms		N/A	Small	Resistive	N/A	N/A	1 ms		N/A	Min.	Resistive	N/A	N/A	1 ms		
B_{10} values (cycles)	Load	Type of load	Voltage	Current	L/R	(10)																																												
1 million	Max.	Resistive	20 V DC	0,5 A DC	1 ms																																													
10 millions	Small	Resistive	5 V DC	1 mA DC	1 ms																																													
100 millions	Min.	Resistive	10 mV DC	10 μA DC	1 ms																																													
1 million	Max.	Resistive	100 V AC	0,1 A AC	1 ms																																													
N/A	Small	Resistive	N/A	N/A	1 ms																																													
N/A	Min.	Resistive	N/A	N/A	1 ms																																													
Component climatic category according to IEC 60068-1:	40/125/21 (11)																																																	
Temperature range	– operating ambient temperature: –40 °C to 125 °C – storage temperature: –40 °C to 125 °C																																																	
Vibration: 196 m/s ² (20 g _n); 10 Hz to 2 000 Hz	(12)																																																	
Shock:	– functional 294 m/s ² (30 g _n) – survival 980 m/s ² (100 g _n)																																																	
No. 7 in Table A.1 of IEC 62246-1:2015, Annex A.	(13)																																																	

D.2.5 Blank detail specification (5)

(1)	(2)																																																	
Electronic components of assessed quality in accordance with: IEC 62246-1: 2015 IEC 62246-1-1: 2018	(3) (4)																																																	
Detail specification for application of heavy-duty reed switches of assessed quality, Limiting continuous current of 2,5 A																																																		
Type: Single-pole, single-throw (SPST) type, normally open contacts	(5)																																																	
Construction: terminals, diameter 0,6 mm for soldering hermetically sealed glass, diameter of 2,75 mm max. terminal length, 55,4 mm type.	(6)																																																	
Outline drawing Dimensions in millimetres	(7) (8)																																																	
<p>Nominal mass: Contact arrangement: 1 NO Finish of the terminals: Tinning</p>	<p>Application:</p> <p>The reed switch according to this document is provided for the operation in industrial applications for automotive safety equipment^a, engine control equipment^b and other applications.</p> <p>^a Airbag sensor (shock sensor) ^b Temperature sensor, pressure sensor</p>																																																	
Contact data	(9) (10)																																																	
Must-release value (AT): 5 min. Must-operate value (AT): 10 to 50 Max. contact resistance (mΩ): 100 Max. operating time (ms): 0,5 Max. release time (ms): 0,1 Max. operate bounce time (ms): 0,5	Breakdown voltage: 200 V DC min. Insulation resistance: 1 000 MΩ min. Rated impulse voltage: N/A																																																	
<table border="1"> <thead> <tr> <th>B_{10} values (cycles)</th> <th>Load</th> <th>Type of load</th> <th>Voltage</th> <th>Current</th> <th>L/R</th> <th>(10)</th> </tr> </thead> <tbody> <tr> <td>1 million</td> <td>Max.</td> <td>Resistive</td> <td>50 V DC</td> <td>1 A DC</td> <td>1 ms</td> <td></td> </tr> <tr> <td>10 millions</td> <td>Small</td> <td>Resistive</td> <td>5 V DC</td> <td>10 mA DC</td> <td>1 ms</td> <td></td> </tr> <tr> <td>100 millions</td> <td>Min.</td> <td>Resistive</td> <td>10 mV DC</td> <td>10 μA DC</td> <td>1 ms</td> <td></td> </tr> <tr> <td>1 million</td> <td>Max.</td> <td>Resistive</td> <td>150 V AC</td> <td>0,45 A AC</td> <td>1 ms</td> <td></td> </tr> <tr> <td>N/A</td> <td>Small</td> <td>Resistive</td> <td>N/A</td> <td>N/A</td> <td>1 ms</td> <td></td> </tr> <tr> <td>N/A</td> <td>Min.</td> <td>Resistive</td> <td>N/A</td> <td>N/A</td> <td>1 ms</td> <td></td> </tr> </tbody> </table>	B_{10} values (cycles)	Load	Type of load	Voltage	Current	L/R	(10)	1 million	Max.	Resistive	50 V DC	1 A DC	1 ms		10 millions	Small	Resistive	5 V DC	10 mA DC	1 ms		100 millions	Min.	Resistive	10 mV DC	10 μA DC	1 ms		1 million	Max.	Resistive	150 V AC	0,45 A AC	1 ms		N/A	Small	Resistive	N/A	N/A	1 ms		N/A	Min.	Resistive	N/A	N/A	1 ms		
B_{10} values (cycles)	Load	Type of load	Voltage	Current	L/R	(10)																																												
1 million	Max.	Resistive	50 V DC	1 A DC	1 ms																																													
10 millions	Small	Resistive	5 V DC	10 mA DC	1 ms																																													
100 millions	Min.	Resistive	10 mV DC	10 μA DC	1 ms																																													
1 million	Max.	Resistive	150 V AC	0,45 A AC	1 ms																																													
N/A	Small	Resistive	N/A	N/A	1 ms																																													
N/A	Min.	Resistive	N/A	N/A	1 ms																																													
Component climatic category according to IEC 60068-1:	40/125/21 (11)																																																	
Temperature range	– operating ambient temperature: –40 °C to 125 °C – storage temperature: –40 °C to 125 °C																																																	
Vibration: 196 m/s ² (20 g _n); 10 Hz to 2 000 Hz	(12)																																																	
Shock:	– functional 294 m/s ² (30 g _n) – survival 980 m/s ² (100 g _n)																																																	
No. 13 in Table A.1 of IEC 62246-1:2015, Annex A.	(13)																																																	

D.2.6 Blank detail specification (6)

(1)	(2)																																																	
Electronic components of assessed quality in accordance with: IEC 62246-1: 2015 IEC 62246-1-1: 2018	(3) (4)																																																	
Detail specification for application of reed switches of assessed quality, Limiting continuous current of 1 A																																																		
Type: Single-pole, single-throw (SPST) type, normally open contacts	(5)																																																	
Construction: terminals, diameter 0,52 mm for soldering hermetically sealed glass, diameter of 2,2 mm max. terminal length, 56,7 mm type.	(6)																																																	
Outline drawing Dimensions in millimetres	(7) (8)																																																	
<p>Nominal mass: Contact arrangement: 1 NO Finish of the terminals: Tinning</p>	<p>Application:</p> <p>The reed switch according to this document is provided for the operation in industrial applications for machinery safety equipment^a, automotive safety equipment^b and other applications for the indication light of the low power consumption specification that uses LED etc.</p> <p>^a Float sensors, proximity sensors ^b Vehicle applications (excluding the lumped loading)</p>																																																	
Contact data	(9) (10)																																																	
Must-release value (AT): 3 min. Must-operate value (AT): 10 to 30 Max. contact resistance (mΩ): 150 Max. operating time (ms): 0,5 Max. release time (ms): 0,05 Max. operate bounce time (ms): 0,5	Breakdown voltage: 150 V DC min. Insulation resistance: 1 000 MΩ min. Rated impulse voltage: N/A Rated contact voltage: 30 V DC / 30 V AC Rated contact current: 0,2 A DC Rated contact power: 3 W / 3 VA max. Min. operational power ratings: N/A																																																	
<table border="1"> <thead> <tr> <th>B_{10} values (cycles)</th> <th>Load</th> <th>Type of load</th> <th>Voltage</th> <th>Current</th> <th>L/R</th> <th>(10)</th> </tr> </thead> <tbody> <tr> <td>N/A</td> <td>Max.</td> <td>Resistive</td> <td>100 V DC</td> <td>0,5 A DC</td> <td>1 ms</td> <td></td> </tr> <tr> <td>N/A</td> <td>Small</td> <td>Resistive</td> <td>N/A</td> <td>N/A</td> <td>1 ms</td> <td></td> </tr> <tr> <td>N/A</td> <td>Min.</td> <td>Resistive</td> <td>N/A</td> <td>N/A</td> <td>1 ms</td> <td></td> </tr> <tr> <td>N/A</td> <td>Max.</td> <td>Resistive</td> <td>100 V AC</td> <td>0,5 A DC</td> <td>1 ms</td> <td></td> </tr> <tr> <td>N/A</td> <td>Small</td> <td>Resistive</td> <td>N/A</td> <td>N/A</td> <td>1 ms</td> <td></td> </tr> <tr> <td>N/A</td> <td>Min.</td> <td>Resistive</td> <td>N/A</td> <td>N/A</td> <td>1 ms</td> <td></td> </tr> </tbody> </table>	B_{10} values (cycles)	Load	Type of load	Voltage	Current	L/R	(10)	N/A	Max.	Resistive	100 V DC	0,5 A DC	1 ms		N/A	Small	Resistive	N/A	N/A	1 ms		N/A	Min.	Resistive	N/A	N/A	1 ms		N/A	Max.	Resistive	100 V AC	0,5 A DC	1 ms		N/A	Small	Resistive	N/A	N/A	1 ms		N/A	Min.	Resistive	N/A	N/A	1 ms		
B_{10} values (cycles)	Load	Type of load	Voltage	Current	L/R	(10)																																												
N/A	Max.	Resistive	100 V DC	0,5 A DC	1 ms																																													
N/A	Small	Resistive	N/A	N/A	1 ms																																													
N/A	Min.	Resistive	N/A	N/A	1 ms																																													
N/A	Max.	Resistive	100 V AC	0,5 A DC	1 ms																																													
N/A	Small	Resistive	N/A	N/A	1 ms																																													
N/A	Min.	Resistive	N/A	N/A	1 ms																																													
Component climatic category according to IEC 60068-1:	40/125/21	(11)																																																
Temperature range	- operating ambient temperature: -40 °C to 125 °C - storage temperature: -40 °C to 125 °C																																																	
Vibration: 490 m/s ² (50 g _n); 10 Hz to 2 000 Hz		(12)																																																
Shock:	- functional 98 m/s ² (10 g _n) - survival 490 m/s ² (50 g _n)																																																	
		(13)																																																

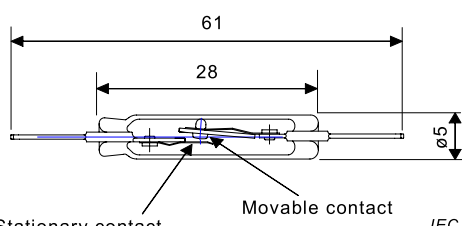
D.2.7 Blank detail specification (7)

(1)						(2)
Electronic components of assessed quality in accordance with: IEC 62246-1: 2015 IEC 62246-1-1: 2018	(3)					(4)
Detail specification for application of reed switches of assessed quality, Limiting continuous current of 2 A						
Type:	Single-pole, single-throw (SPST) type, normally open contacts					(5)
Construction:	terminals, diameter 0,60 mm for soldering hermetically sealed glass, diameter of 2,7 mm max. terminal length, 57,0 mm type.					(6)
Outline drawing Dimensions in millimetres	(7)				Application:	(8)
					<p>The reed switch according to this document is provided for the operation in automobile applications^a for the alarm lamp, etc.</p> <p>^a Level sensors, proximity sensors</p>	
Nominal mass:						
Contact arrangement: 1 NO						
Finish of the terminals: Tinning						
Contact data	(9)					(10)
Must-release value (AT):	10 min.				Breakdown voltage:	150 V DC. min.
Must-operate value (AT):	30 to 50				Insulation resistance:	1 000 MΩ min.
Max. contact resistance (mΩ):	150				Rated impulse voltage:	N/A
Max. operating time (ms):	1,0				Rated contact voltage:	200 V DC
Max. release time (ms):	0,05				Rated contact current:	3 A DC (Inrush)
Max. operate bounce time (ms):	0,5				Rated contact power:	10 VA max.
					Min. operational power ratings:	N/A
B_{10} values (cycles)	Load	Type of load	Voltage	Current	L/R	(10)
N/A	Max.	Filament lamp	100 V DC	3 A DC (Inrush)	1 ms	
N/A	Small	Resistive	N/A	N/A	1 ms	
N/A	Min.	Resistive	N/A	N/A	1 ms	
Component climatic category according to IEC 60068-1: 40/125/21						(11)
Temperature range – operating ambient temperature: –40 °C to 125 °C – storage temperature: –40 °C to 125 °C						
Vibration: 490 m/s ² (50g _n); 10 Hz to 2 000 Hz						(12)
Shock: – functional 98 m/s ² (10 g _n) – survival 490 m/s ² (50 g _n)						
						(13)

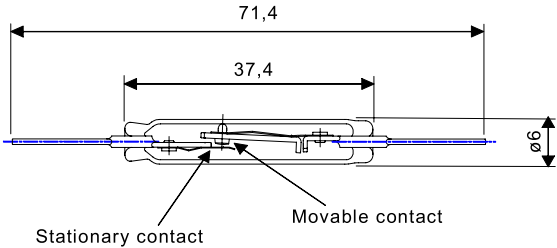
D.2.8 Blank detail specification (8)

(1)	(2)																																										
Electronic components of assessed quality in accordance with: IEC 62246-1: 2015 IEC 62246-1-1: 2018	(3) (4)																																										
Detail specification for application of reed switches of assessed quality, Limiting continuous current of 0,5 A																																											
Type: Single-pole, double-throw (SPDT) type, transfer contacts	(5)																																										
Construction: terminals, diameter 0,5 mm for soldering hermetically sealed glass, diameter of 2,54 mm max. terminal length, 56,1 mm type.	(6)																																										
Outline drawing Dimensions in millimetres	(7) (8)																																										
<p>Nominal mass: Contact arrangement: 1 C/O Finish of the terminals: Tinning</p>	<p>Application: The reed switch according to this document is provided for the operation in industrial applications for home security system^a, engine control equipment^b and other applications.</p> <p>^a Door sensor ^b Oil level sensor</p>																																										
Contact data	(9) (10)																																										
Must-release value (AT): 4 min. Must-operate value (AT): 10 to 30 Max. contact resistance (mΩ): 100 Max. operating time (ms): 1,5 Max. release time (ms): 0,1 Max. operate bounce time (ms): 2,0	Breakdown voltage: 150 V DC min. Insulation resistance: 1 000 MΩ min. Rated impulse voltage: N/A																																										
<table border="1"> <thead> <tr> <th>B_{10} values (cycles)</th> <th>Load</th> <th>Type of load</th> <th>Voltage</th> <th>Current</th> <th>L/R</th> </tr> </thead> <tbody> <tr> <td>1 million</td> <td>Max.</td> <td>Resistive</td> <td>15 V DC</td> <td>0,2 A DC</td> <td>1 ms</td> </tr> <tr> <td>10 millions</td> <td>Small</td> <td>Resistive</td> <td>5 V DC</td> <td>1 mA DC</td> <td>1 ms</td> </tr> <tr> <td>100 millions</td> <td>Min.</td> <td>Resistive</td> <td>10 mV DC</td> <td>10 μA DC</td> <td>1 ms</td> </tr> <tr> <td>1 million</td> <td>Max.</td> <td>Resistive</td> <td>30 V AC</td> <td>0,1 A AC</td> <td>1 ms</td> </tr> <tr> <td>N/A</td> <td>Small</td> <td>Resistive</td> <td>N/A</td> <td>N/A</td> <td>1 ms</td> </tr> <tr> <td>N/A</td> <td>Min.</td> <td>Resistive</td> <td>N/A</td> <td>N/A</td> <td>1 ms</td> </tr> </tbody> </table>	B_{10} values (cycles)	Load	Type of load	Voltage	Current	L/R	1 million	Max.	Resistive	15 V DC	0,2 A DC	1 ms	10 millions	Small	Resistive	5 V DC	1 mA DC	1 ms	100 millions	Min.	Resistive	10 mV DC	10 μA DC	1 ms	1 million	Max.	Resistive	30 V AC	0,1 A AC	1 ms	N/A	Small	Resistive	N/A	N/A	1 ms	N/A	Min.	Resistive	N/A	N/A	1 ms	(10)
B_{10} values (cycles)	Load	Type of load	Voltage	Current	L/R																																						
1 million	Max.	Resistive	15 V DC	0,2 A DC	1 ms																																						
10 millions	Small	Resistive	5 V DC	1 mA DC	1 ms																																						
100 millions	Min.	Resistive	10 mV DC	10 μA DC	1 ms																																						
1 million	Max.	Resistive	30 V AC	0,1 A AC	1 ms																																						
N/A	Small	Resistive	N/A	N/A	1 ms																																						
N/A	Min.	Resistive	N/A	N/A	1 ms																																						
NOTE B_{10} values can be applied only NO or NC contact of a change-over contact in which the break contact circuit opens before the make contact circuit closes.																																											
Component climatic category according to IEC 60068-1:	40/125/21 (11)																																										
Temperature range	– operating ambient temperature: –40 °C to 125 °C – storage temperature: –40 °C to 125 °C																																										
Vibration: 196 m/s ² (20g _n); 10 Hz to 2 000 Hz	(12)																																										
Shock:	– functional 294 m/s ² (30 g _n) – survival 980 m/s ² (100 g _n)																																										
No. 2 in Table A.1 of IEC 62246-1:2015, Annex A.	(13)																																										

D.2.9 Blank detail specification (9)

(1)	(2)																																																	
Electronic components of assessed quality in accordance with: IEC 62246-1: 2015 IEC 62246-1-1: 2018	(3) (4)																																																	
Detail specification for application of heavy-duty reed switches of assessed quality, Limiting continuous current of 3,0 A																																																		
Type: Single-pole, single-throw (SPST) type, normally open contacts	(5)																																																	
Construction: terminals, 0,5 mm thickness × 2,4 mm wide for soldering hermetically sealed glass, diameter of 5 mm max. terminal length, 61 mm max.	(6)																																																	
Outline drawing Dimensions in millimetres	(7) (8)																																																	
 <p>Nominal mass: Contact arrangement: 1 NO Finish of the terminals: Tinning</p> <p>NOTE Stationary contact (spring contact) side is of positive polarity when using in a DC circuit.</p>	<p>Application:</p> <p>The heavy-duty reed switch according to this document is provided for the operation in industrial applications for machinery safety equipment^b, hazardous atmosphere equipment^{a, d}, electric railway equipment^{a, d, c, e} and elevator control equipment^c and other applications.</p> <p>a reed relays b guard interlocking devices c magnetic proximity switches d push-button switches e tilting sensors</p>																																																	
Contact data	(9) (10)																																																	
Must-release value (AT): 50 min. Must-operate value (AT): 100 to 130 Max. contact resistance (mΩ): 500 Max. operating time (ms): 5 Max. release time (ms): 3 Max. operate bounce time (ms): 3	Breakdown voltage: 500 V AC min. Insulation resistance: 100 MΩ min. Impulse voltage: N/A																																																	
<table border="1"> <thead> <tr> <th>B_{10} values (cycles)</th> <th>Load</th> <th>Type of load</th> <th>Voltage</th> <th>Current</th> <th>L/R</th> <th>(10)</th> </tr> </thead> <tbody> <tr> <td>300 000</td> <td>Max.</td> <td>Inductive</td> <td>115 V DC</td> <td>0,3 A DC</td> <td>40 ms</td> <td></td> </tr> <tr> <td>15 million</td> <td>Small</td> <td>Inductive</td> <td>24 V DC</td> <td>37 mA</td> <td>7 ms</td> <td></td> </tr> <tr> <td>N/A</td> <td>Min.</td> <td>Resistive</td> <td>24 V DC</td> <td>1 mA</td> <td>1 ms</td> <td></td> </tr> <tr> <td>1 million</td> <td>Max.</td> <td>Inductive</td> <td>240 V AC</td> <td>0,5 A AC</td> <td>Make: $\cos \varphi = 0,7$ Break: $\cos \varphi = 0,4$</td> <td></td> </tr> <tr> <td>N/A</td> <td>Small</td> <td>Inductive</td> <td>N/A</td> <td>N/A</td> <td>N/A</td> <td></td> </tr> <tr> <td>N/A</td> <td>Min.</td> <td>Resistive</td> <td>N/A</td> <td>N/A</td> <td>1 ms</td> <td></td> </tr> </tbody> </table>	B_{10} values (cycles)	Load	Type of load	Voltage	Current	L/R	(10)	300 000	Max.	Inductive	115 V DC	0,3 A DC	40 ms		15 million	Small	Inductive	24 V DC	37 mA	7 ms		N/A	Min.	Resistive	24 V DC	1 mA	1 ms		1 million	Max.	Inductive	240 V AC	0,5 A AC	Make: $\cos \varphi = 0,7$ Break: $\cos \varphi = 0,4$		N/A	Small	Inductive	N/A	N/A	N/A		N/A	Min.	Resistive	N/A	N/A	1 ms		
B_{10} values (cycles)	Load	Type of load	Voltage	Current	L/R	(10)																																												
300 000	Max.	Inductive	115 V DC	0,3 A DC	40 ms																																													
15 million	Small	Inductive	24 V DC	37 mA	7 ms																																													
N/A	Min.	Resistive	24 V DC	1 mA	1 ms																																													
1 million	Max.	Inductive	240 V AC	0,5 A AC	Make: $\cos \varphi = 0,7$ Break: $\cos \varphi = 0,4$																																													
N/A	Small	Inductive	N/A	N/A	N/A																																													
N/A	Min.	Resistive	N/A	N/A	1 ms																																													
Component climatic category according to IEC 60068-1:	50/150/10	(11)																																																
Temperature range	– operating ambient temperature: –50 °C to 150 °C – storage temperature: –60 °C to 180 °C																																																	
Vibration: 147 m/s ² (15 g _n), 10 Hz to 2 000 Hz		(12)																																																
Shock: – functional 196 m/s ² (20 g _n), – survival 980m/s ² (100 g _n)																																																		
No. 25 in Table A.1 of IEC 62246-1:2015, Annex A. Functional tests; Remanence tests; Contact circuit resistance; Operating times; Max. Cycling frequency; Contact sticking; Sealing. No. 28, 29 and 30 in Table A.1 of IEC 62246-1: 2015, Annex A. Vibration; Shock; Electrical endurance; Mechanical endurance; Contact reliability test; Conditional short circuit test; Surge withstand test; Making and breaking capacities; Temperature rise; Making current capacity; Breaking current capacity.		(13)																																																

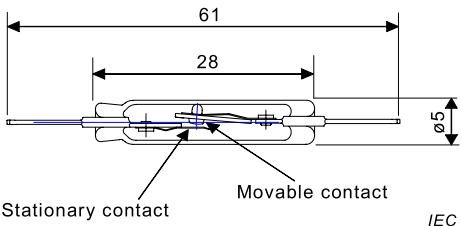
D.2.10 Blank detail specification (10)

(1)	(2)																																										
Electronic components of assessed quality in accordance with: IEC 62246-1: 2015 IEC 62246-1-1: 2018	(3) (4)																																										
Detail specification for application of heavy-duty reed switches of assessed quality, Limiting continuous current of 5,0 A																																											
Type: Single-pole, single-throw (SPST) type, normally open contacts	(5)																																										
Construction: terminals, 0,5 mm thickness × 2,4 mm wide for soldering hermetically sealed glass, diameter of 6 mm max. terminal length, 71,4 mm max.	(6)																																										
Outline drawing Dimensions in millimetres	(7) (8)																																										
 <p>Nominal mass: Contact arrangement: 1 NO Finish of the terminals: Tinning</p> <p>NOTE Stationary contact (spring contact) side is of positive polarity when using in a DC circuit.</p>	<p>Application:</p> <p>The heavy-duty reed switch according to this document is provided for the operation in industrial applications for machinery safety equipment^b, hazardous atmosphere equipment^{a, d}, electric railway equipment^{a, b, c} and elevator control equipment^c and other applications.</p> <p>a reed relays b guard interlocking devices c magnetic proximity switches d push-button switches</p>																																										
Contact data	(9) (10)																																										
Must-release value (AT): 60 min. Must-operate value (AT): 180 to 230 Max. contact resistance (mΩ): 500 Max. operating time (ms): 5 Max. release time (ms): 3 Max. operate bounce time (ms): 3	Breakdown voltage: 800 V AC min. Insulation resistance: 100 MΩ min. Rated impulse voltage: N/A																																										
<table border="1"> <thead> <tr> <th>B_{10} values (cycles)</th> <th>Load</th> <th>Type of load</th> <th>Voltage</th> <th>Current</th> <th>L/R</th> </tr> </thead> <tbody> <tr> <td>300 000</td> <td>Max.</td> <td>Inductive</td> <td>115 V DC</td> <td>0,5 A DC</td> <td>100 ms</td> </tr> <tr> <td>30 million</td> <td>Small</td> <td>Inductive</td> <td>24 V DC</td> <td>37 mA</td> <td>7 ms</td> </tr> <tr> <td>N/A</td> <td>Min.</td> <td>Resistive</td> <td>24 V DC</td> <td>1 mA</td> <td>1 ms</td> </tr> <tr> <td>800 000</td> <td>Max.</td> <td>Inductive</td> <td>240 V AC</td> <td>1,0 A AC</td> <td>Make: $\cos \varphi = 0,7$ Break: $\cos \varphi = 0,4$</td> </tr> <tr> <td>N/A</td> <td>Small</td> <td>Inductive</td> <td>N/A</td> <td>N/A</td> <td>N/A</td> </tr> <tr> <td>N/A</td> <td>Min.</td> <td>Resistive</td> <td>N/A</td> <td>N/A</td> <td>1 ms</td> </tr> </tbody> </table>	B_{10} values (cycles)	Load	Type of load	Voltage	Current	L/R	300 000	Max.	Inductive	115 V DC	0,5 A DC	100 ms	30 million	Small	Inductive	24 V DC	37 mA	7 ms	N/A	Min.	Resistive	24 V DC	1 mA	1 ms	800 000	Max.	Inductive	240 V AC	1,0 A AC	Make: $\cos \varphi = 0,7$ Break: $\cos \varphi = 0,4$	N/A	Small	Inductive	N/A	N/A	N/A	N/A	Min.	Resistive	N/A	N/A	1 ms	(10)
B_{10} values (cycles)	Load	Type of load	Voltage	Current	L/R																																						
300 000	Max.	Inductive	115 V DC	0,5 A DC	100 ms																																						
30 million	Small	Inductive	24 V DC	37 mA	7 ms																																						
N/A	Min.	Resistive	24 V DC	1 mA	1 ms																																						
800 000	Max.	Inductive	240 V AC	1,0 A AC	Make: $\cos \varphi = 0,7$ Break: $\cos \varphi = 0,4$																																						
N/A	Small	Inductive	N/A	N/A	N/A																																						
N/A	Min.	Resistive	N/A	N/A	1 ms																																						
Component climatic category according to IEC 60068-1: 50/150/10 (11)																																											
Temperature range – operating ambient temperature: –50 °C to 150 °C – storage temperature: –60 °C to 180 °C																																											
Vibration: 196 m/s ² (20 g _n); 20 Hz to 1 000 Hz (12)																																											
Shock: – functional 392 m/s ² (40 g _n), – survival 980 m/s ² (100 g _n)																																											
No. 25 in Table A.1 of IEC 62246-1:2015, Annex A. Functional tests; Remanence tests; Contact circuit resistance; Operating times; Max. Cycling frequency; Contact sticking; Sealing. No. 28, 29 and 30 in Table A.1 of IEC 62246-1: 2015, Annex A. Vibration; Shock; Electrical endurance; Mechanical endurance; Contact reliability test; Conditional short circuit test; Surge withstand test; Making and breaking capacities; Temperature rise; Making current capacity; Breaking current capacity. (13)																																											

D.2.11 Blank detail specification (11)

(1)	(2)																																																	
Electronic components of assessed quality in accordance with: IEC 62246-1: 2015 IEC 62246-1-1: 2018	(3) (4)																																																	
Detail specification for application of high-breakdown voltage reed switches of assessed quality, Limiting continuous current of 2,5 A																																																		
Type: Single-pole, single-throw (SPST) type, normally open contacts	(5)																																																	
Variant B	(6)																																																	
Construction: terminals, diameter 0,6mm for soldering hermetically sealed glass, diameter of 2,75 mm max. terminal length, 55,4 mm type.																																																		
Outline drawing Dimensions in millimetres	(7) (8)																																																	
<p>Nominal mass: Contact arrangement: 1 NO Finish of the terminals: Tinning</p>	<p>Application:</p> <p>The high breakdown voltage reed switch according to this document is provided for the operation in industrial applications for machinery safety equipment^a, engine control equipment^b and other applications.</p> <p>^a Cylinder sensor(position sensor) ^b Oil level sensor</p>																																																	
Contact data	(9) (10)																																																	
Must-release value (AT): 5 min. Must-operate value (AT): 10 to 60 Max. contact resistance (mΩ): 100 Max. operating time (ms): 0,8 Max. release time (ms): 0,1 Max. operate bounce time (ms): 0,8	Breakdown voltage: 1 000 V DC min. Insulation resistance: 1 000 MΩ min. Rated impulse voltage: N/A																																																	
<table border="1"> <thead> <tr> <th>B_{10} values (cycles)</th> <th>Load</th> <th>Type of load</th> <th>Voltage</th> <th>Current</th> <th>L/R</th> <th>(10)</th> </tr> </thead> <tbody> <tr> <td>1 million</td> <td>Max.</td> <td>Resistive</td> <td>70 V DC</td> <td>0,7 A DC</td> <td>1 ms</td> <td></td> </tr> <tr> <td>10 millions</td> <td>Small</td> <td>Resistive</td> <td>5 V DC</td> <td>10 mA DC</td> <td>1 ms</td> <td></td> </tr> <tr> <td>100 millions</td> <td>Min.</td> <td>Resistive</td> <td>10 mV DC</td> <td>10 μA DC</td> <td>1 ms</td> <td></td> </tr> <tr> <td>1 million</td> <td>Max.</td> <td>Resistive</td> <td>300 V AC</td> <td>0,23 A AC</td> <td>1 ms</td> <td></td> </tr> <tr> <td>N/A</td> <td>Small</td> <td>Resistive</td> <td>N/A</td> <td>N/A</td> <td>1 ms</td> <td></td> </tr> <tr> <td>N/A</td> <td>Min.</td> <td>Resistive</td> <td>N/A</td> <td>N/A</td> <td>1 ms</td> <td></td> </tr> </tbody> </table>	B_{10} values (cycles)	Load	Type of load	Voltage	Current	L/R	(10)	1 million	Max.	Resistive	70 V DC	0,7 A DC	1 ms		10 millions	Small	Resistive	5 V DC	10 mA DC	1 ms		100 millions	Min.	Resistive	10 mV DC	10 μA DC	1 ms		1 million	Max.	Resistive	300 V AC	0,23 A AC	1 ms		N/A	Small	Resistive	N/A	N/A	1 ms		N/A	Min.	Resistive	N/A	N/A	1 ms		
B_{10} values (cycles)	Load	Type of load	Voltage	Current	L/R	(10)																																												
1 million	Max.	Resistive	70 V DC	0,7 A DC	1 ms																																													
10 millions	Small	Resistive	5 V DC	10 mA DC	1 ms																																													
100 millions	Min.	Resistive	10 mV DC	10 μA DC	1 ms																																													
1 million	Max.	Resistive	300 V AC	0,23 A AC	1 ms																																													
N/A	Small	Resistive	N/A	N/A	1 ms																																													
N/A	Min.	Resistive	N/A	N/A	1 ms																																													
Component climatic category according to IEC 60068-1:	40/125/21 (11)																																																	
Temperature range	– operating ambient temperature: –40 °C to 125 °C – storage temperature: –40 °C to 125 °C																																																	
Vibration: 196 m/s ² (20 g _n); 10 Hz to 2 000 Hz	(12)																																																	
Shock:	– functional 294 m/s ² (30 g _n) – survival 980 m/s ² (100 g _n)																																																	
No. 13 in Table A.1 of IEC 62246-1:2015, Annex A.	(13)																																																	

D.2.12 Blank detail specification (12)

(1)	(2)																																										
Electronic components of assessed quality in accordance with: IEC 62246-1: 2015 IEC 62246-1-1: 2018	(3) (4)																																										
Detail specification for variant B of heavy-duty reed switches of assessed quality, Limiting continuous current of 3,0 A																																											
Type: Single-pole, single-throw (SPST) type, normally open contacts	(5)																																										
Construction: terminals, 0,5 mm thickness × 2,4 mm wide for soldering hermetically sealed glass, diameter of 5 mm max. terminal length, 61 mm max.	(6)																																										
Outline drawing Dimensions in millimetres  Nominal mass: Contact arrangement: 1 NO Finish of the terminals: Tinning NOTE Stationary contact (spring contact) side is of positive polarity when using in a DC circuit.	(7) (8) Typical field of applications: The heavy-duty reed switch according to this document is provided for the operation in industrial applications for electric power equipment ^{a, b} , railway signalling equipment ^a and other applications. ^a Reed relays ^b Magnetic proximity switches																																										
Contact data	(9) (10)																																										
Must-release value (AT): 50 min. Must-operate value (AT): 100 to 130 Max. contact resistance (mΩ): 500 Max. operating time (ms): 5 Max. release time (ms): 3 Max. operate bounce time (ms): 3	Breakdown voltage: 1 000 V AC min. Insulation resistance: 1 00 MΩ min. Rated impulse voltage: 1,2 × 50 μs, 3 000 V																																										
<table border="1"> <thead> <tr> <th>B_{10} values (cycles)</th> <th>Load</th> <th>Type of load</th> <th>Voltage</th> <th>Current</th> <th>L/R</th> </tr> </thead> <tbody> <tr> <td>100 000</td> <td>Max.</td> <td>Inductive</td> <td>115 V DC</td> <td>0,3 A DC</td> <td>40 ms</td> </tr> <tr> <td>N/A</td> <td>Small</td> <td>Inductive</td> <td>24 V DC</td> <td>37 mA</td> <td>7 ms</td> </tr> <tr> <td>N/A</td> <td>Min.</td> <td>Resistive</td> <td>24 V DC</td> <td>1 mA</td> <td>1 ms</td> </tr> <tr> <td>N/A</td> <td>Max.</td> <td>Inductive</td> <td>240 V AC</td> <td>0,5 A AC</td> <td>Make: $\cos \varphi = 0,7$ Break: $\cos \varphi = 0,4$</td> </tr> <tr> <td>N/A</td> <td>Small</td> <td>Inductive</td> <td>N/A</td> <td>N/A</td> <td>N/A</td> </tr> <tr> <td>N/A</td> <td>Min.</td> <td>Resistive</td> <td>N/A</td> <td>N/A</td> <td>1 ms</td> </tr> </tbody> </table>	B_{10} values (cycles)	Load	Type of load	Voltage	Current	L/R	100 000	Max.	Inductive	115 V DC	0,3 A DC	40 ms	N/A	Small	Inductive	24 V DC	37 mA	7 ms	N/A	Min.	Resistive	24 V DC	1 mA	1 ms	N/A	Max.	Inductive	240 V AC	0,5 A AC	Make: $\cos \varphi = 0,7$ Break: $\cos \varphi = 0,4$	N/A	Small	Inductive	N/A	N/A	N/A	N/A	Min.	Resistive	N/A	N/A	1 ms	(10)
B_{10} values (cycles)	Load	Type of load	Voltage	Current	L/R																																						
100 000	Max.	Inductive	115 V DC	0,3 A DC	40 ms																																						
N/A	Small	Inductive	24 V DC	37 mA	7 ms																																						
N/A	Min.	Resistive	24 V DC	1 mA	1 ms																																						
N/A	Max.	Inductive	240 V AC	0,5 A AC	Make: $\cos \varphi = 0,7$ Break: $\cos \varphi = 0,4$																																						
N/A	Small	Inductive	N/A	N/A	N/A																																						
N/A	Min.	Resistive	N/A	N/A	1 ms																																						
Component climatic category according to IEC 60068-1: 50/150/10 (11)																																											
Temperature range – operating ambient temperature: –50 °C to 150 °C – storage temperature: –60 °C to 180 °C																																											
Vibration: 147 m/s ² (15 g _n), 20 Hz to 1 000 Hz (12)																																											
Shock: – functional 196 m/s ² (20 g _n), – survival 980 m/s ² (100 g _n)																																											
No. 25 in Table A.1 of IEC 62246-1: 2015, Annex A. Functional tests; Remanence tests; Contact circuit resistance; Operating times; Max. Cycling frequency; Contact sticking; Sealing. No. 28, 29 and 30 in Table A.1 of IEC 62246-1: 2015, Annex A. Vibration; Shock; Electrical endurance; Mechanical endurance; Contact reliability test; Conditional short circuit test; Surge withstand test; Making and breaking capacities; Temperature rise; Making current capacity; Breaking current capacity. (13)																																											

Bibliography

IEC 60068-1:2013, *Environmental testing – Part 1: General and guidance*

IEC 60068-2-1:2007, *Environmental testing – Part 2-1: Tests – Test A: Cold*

IEC 60068-2-2:2007, *Environmental testing – Part 2-2: Tests – Test B: Dry heat*

IEC 60068-2-7:1983, *Basic environmental testing procedures – Part 2-7: Tests – Test Ga and guidance: Acceleration, steady state*

IEC 60068-2-11:1981, *Basic environmental testing procedures – Part 2-11: Tests – Test Ka: Salt mist*

IEC 60068-2-13:1983, *Basic environmental testing procedures – Part 2-13: Tests – Test M: Low air pressure*

IEC 60068-2-27:2008, *Environmental testing – Part 2-27: Tests – Test Ea and guidance: Shock*

IEC 60068-2-30:2005, *Environmental testing – Part 2-30: Tests – Test Db: Damp heat, cyclic (12 h + 12 h cycle)*

IEC 60947-5-1:2017, *Low voltage switchgear and controlgear – Part 5-1: Control circuit devices and switching elements – Electromechanical control circuit devices*

IEC 60947-5-2:2007, *Low voltage switchgear and controlgear – Part 5-2: Control circuit devices and switching elements – Proximity switches*

IEC 60947-5-3:2013, *Low voltage switchgear and controlgear – Part 5-3: Control circuit devices and switching elements – Requirements for proximity devices with defined behaviour under fault conditions (PDDB)*

IEC 61508-4:2010, *Functional safety of electrical/electronic/programmable electronic safety-related systems – Part 4: Definitions and abbreviations*

IEC 61810-1:2015, *Electromechanical elementary relays – Part 1: General and safety requirements*

IEC 61811-1, *Electromechanical telecom elementary relays of assessed quality – Part 1: Generic specification and blank detail specification*

ISO 14119: 2013, *Safety of machinery – Interlocking devices associated with guards – Principles for design and selection*

ISO 22201:2017, *Lifts (elevators) – Design and development of programmable electronic systems in safety-related applications for lifts (PESSRAL)*

ISO 22201-2:2013, *Lifts (elevators), escalators and moving walks – Programmable electronic systems in safety-related applications – Part 2: Escalators and moving walks (PESSRAE)*

SOMMAIRE

AVANT-PROPOS	64
INTRODUCTION	66
1 Domaine d'application	67
2 Références normatives	67
3 Termes et définitions	68
3.1 types de contacts à lames souples	68
3.2 essais	69
3.3 contrôle	69
3.4 modes de sécurité et de défaillance	69
4 Programmes d'essais	70
4.1 Généralités	70
4.2 Ordre des essais	70
4.3 Groupes et sous-groupes d'essai	70
4.4 Essai de type	70
4.5 Contrôle de conformité de la qualité	70
4.6 Formation des lots de contrôle	71
4.7 Essai périodique	71
4.8 Intervalles entre essais périodiques	71
4.9 Conditions normalisées pour les essais	71
4.10 Montage des échantillons d'essai au cours de l'essai	71
4.11 Conditions générales pour les essais	71
5 Valeurs caractéristiques des contacts à lames souples	99
5.1 Données du contact	99
5.1.1 Critères de défaillance	99
5.1.2 Résistance de circuit de contact statique	104
5.1.3 Endurance mécanique	104
5.1.4 Essai diélectrique final	104
5.2 Données d'environnement	104
5.3 Fiabilité – Données de taux de défaillance	104
6 Marquage et documentation	105
6.1 Généralités	105
6.2 Marquage du contact à lames souples	105
6.3 Marquage de l'emballage	105
6.4 Date codée de fabrication	105
7 Élaboration de la spécification particulière-cadre et de la spécification particulière	106
Annexe A (normative) Montage dans une bobine normalisée	108
Annexe B (normative) Variantes	109
Annexe C (informative) Applications types	110
Annexe D (informative) Exemples de spécification particulière-cadre et de spécification particulière	111
D.1 Légende relative à la page de couverture	111
D.2 Exemples de spécifications particulières-cadres	112
D.2.1 Spécification particulière-cadre (1)	112
D.2.2 Spécification particulière-cadre (2)	113
D.2.3 Spécification particulière-cadre (3)	114

D.2.4	Spécification particulière-cadre (4)	115
D.2.5	Spécification particulière-cadre (5)	116
D.2.6	Spécification particulière-cadre (6)	117
D.2.7	Spécification particulière-cadre (7)	118
D.2.8	Spécification particulière-cadre (8)	119
D.2.9	Spécification particulière-cadre (9)	120
D.2.10	Spécification particulière-cadre (10)	121
D.2.11	Spécification particulière-cadre (11)	122
D.2.12	Spécification particulière-cadre (12)	123
Bibliographie.....		124
Figure A.1 – Sens et position du contact dans une bobine normalisée		108
Tableau 1 – Procédure d'essai de l'évaluation de la qualité		72
Tableau 2 – Échantillonnage et programme d'essais de type		74
Tableau 3 – Échantillonnage et programme d'essais de type (pour groupes)		89
Tableau 4 – Contrôle de conformité de la qualité		91
Tableau 5 – Variante A des contacts à lames souples.....		99
Tableau 6 – Variante A des contacts à lames souples pour service intensif		101
Tableau 7 – Variante B des contacts à lames souples pour service intensif		103
Tableau 8 – Données d'environnement pour contacts à lames souples		104
Tableau 9 – Données de fiabilité pour contacts à lames souples.....		105

COMMISSION ÉLECTROTECHNIQUE INTERNATIONALE

CONTACTS À LAMES SOUPLES –

Partie 1-1: Spécification générique – Spécification particulière-cadre

AVANT-PROPOS

- 1) La Commission Electrotechnique Internationale (IEC) est une organisation mondiale de normalisation composée de l'ensemble des comités électrotechniques nationaux (Comités nationaux de l'IEC). L'IEC a pour objet de favoriser la coopération internationale pour toutes les questions de normalisation dans les domaines de l'électricité et de l'électronique. A cet effet, l'IEC – entre autres activités – publie des Normes internationales, des Spécifications techniques, des Rapports techniques, des Spécifications accessibles au public (PAS) et des Guides (ci-après dénommés "Publication(s) de l'IEC"). Leur élaboration est confiée à des comités d'études, aux travaux desquels tout Comité national intéressé par le sujet traité peut participer. Les organisations internationales, gouvernementales et non gouvernementales, en liaison avec l'IEC, participent également aux travaux. L'IEC collabore étroitement avec l'Organisation Internationale de Normalisation (ISO), selon des conditions fixées par accord entre les deux organisations.
- 2) Les décisions ou accords officiels de l'IEC concernant les questions techniques représentent, dans la mesure du possible, un accord international sur les sujets étudiés, étant donné que les Comités nationaux de l'IEC intéressés sont représentés dans chaque comité d'études.
- 3) Les Publications de l'IEC se présentent sous la forme de recommandations internationales et sont agréées comme telles par les Comités nationaux de l'IEC. Tous les efforts raisonnables sont entrepris afin que l'IEC s'assure de l'exactitude du contenu technique de ses publications; l'IEC ne peut pas être tenue responsable de l'éventuelle mauvaise utilisation ou interprétation qui en est faite par un quelconque utilisateur final.
- 4) Dans le but d'encourager l'uniformité internationale, les Comités nationaux de l'IEC s'engagent, dans toute la mesure possible, à appliquer de façon transparente les Publications de l'IEC dans leurs publications nationales et régionales. Toutes divergences entre toutes Publications de l'IEC et toutes publications nationales ou régionales correspondantes doivent être indiquées en termes clairs dans ces dernières.
- 5) L'IEC elle-même ne fournit aucune attestation de conformité. Des organismes de certification indépendants fournissent des services d'évaluation de conformité et, dans certains secteurs, accèdent aux marques de conformité de l'IEC. L'IEC n'est responsable d'aucun des services effectués par les organismes de certification indépendants.
- 6) Tous les utilisateurs doivent s'assurer qu'ils sont en possession de la dernière édition de cette publication.
- 7) Aucune responsabilité ne doit être imputée à l'IEC, à ses administrateurs, employés, auxiliaires ou mandataires, y compris ses experts particuliers et les membres de ses comités d'études et des Comités nationaux de l'IEC, pour tout préjudice causé en cas de dommages corporels et matériels, ou de tout autre dommage de quelque nature que ce soit, directe ou indirecte, ou pour supporter les coûts (y compris les frais de justice) et les dépenses découlant de la publication ou de l'utilisation de cette Publication de l'IEC ou de toute autre Publication de l'IEC, ou au crédit qui lui est accordé.
- 8) L'attention est attirée sur les références normatives citées dans cette publication. L'utilisation de publications référencées est obligatoire pour une application correcte de la présente publication.
- 9) L'attention est attirée sur le fait que certains des éléments de la présente Publication de l'IEC peuvent faire l'objet de droits de brevet. L'IEC ne saurait être tenue pour responsable de ne pas avoir identifié de tels droits de brevets et de ne pas avoir signalé leur existence.

La Norme internationale IEC 62246-1-1 a été établie par le comité d'études 94 de l'IEC: Relais électriques de tout-ou-rien.

Cette deuxième édition annule et remplace la première édition parue en 2013. Cette édition constitue une révision technique.

Cette édition inclut les modifications techniques majeures suivantes par rapport aux éditions précédentes:

- a) mise à jour du domaine d'application, des références et des termes et définitions;
- b) inclusion de lignes directrices pour l'élaboration des spécifications particulières-cadres et des spécifications particulières;

- c) mise à jour des valeurs caractéristiques dont les valeurs assignées de fonctionnement pour la sécurité;
- d) mise à jour des procédures de contrôle de conformité de la qualité;
- e) mise à jour d'applications types.

Le texte de cette Norme internationale est issu des documents suivants:

FDIS	Rapport de vote
94/426/FDIS	94/427/RVD

Le rapport de vote indiqué dans le tableau ci-dessus donne toute information sur le vote ayant abouti à l'approbation de cette Norme internationale.

Ce document a été rédigé selon les Directives ISO/IEC, Partie 2.

Le présent document doit être utilisé conjointement avec l'IEC 62246-1:2015.

Une liste de toutes les parties de la série IEC 62246, publiées sous le titre général *Contacts à lames souples*, peut être consultée sur le site web de l'IEC.

Le comité a décidé que le contenu de ce document ne sera pas modifié avant la date de stabilité indiquée sur le site web de l'IEC sous "<http://webstore.iec.ch>" dans les données relatives au document recherché. A cette date, le document sera

- reconduit,
- supprimé,
- remplacé par une édition révisée, ou
- amendé.

IMPORTANT – Le logo "colour inside" qui se trouve sur la page de couverture de cette publication indique qu'elle contient des couleurs qui sont considérées comme utiles à une bonne compréhension de son contenu. Les utilisateurs devraient, par conséquent, imprimer cette publication en utilisant une imprimante couleur.

INTRODUCTION

Les contacts à lames souples qui sont en production en série et qui sont largement utilisés dans la pratique peuvent être classés selon les caractéristiques suivantes:

a) Taille:

- Contacts à lames souples normaux ou normalisés avec un tube de plus de 50 mm de longueur et de plus de 5 mm de diamètre;
- Contacts à lames souples sous-miniatures avec un tube de plus de 20 mm à 50 mm maximum de longueur et de 5 mm de diamètre maximum;
- Contacts à lames souples miniatures avec un tube de plus de 10 mm à 20 mm maximum de longueur et de plus de 2 mm à 5 mm maximum de diamètre;
- Contacts à lames souples miniatures avec un tube de 10 mm maximum de longueur et de 2 mm maximum de diamètre.

b) Type de commutation de circuit électrique:

- À fermeture ou normalement ouverte – Type A ou NO;
- À ouverture ou normalement fermée – Type B ou NC.
- À deux directions – Type C ou CO.

c) Niveau de tension de tenue:

- Basse tension (jusqu'à 1 000 V);
- Haute tension (plus de 1 000 V).

d) Puissance des commutateurs:

- Faible puissance (jusqu'à 60 W ou 60 VA);
- Puissance (100 W à 1 000 W ou 100 VA à 1 000 VA);
- Haute puissance (plus de 1 000 W ou 1 000 VA).

e) Types de contacts électriques:

- Le tube est rempli d'air sec, de mélange gazeux, vide d'air ou mis sous haute pression.

En se basant sur les dispositions générales de l'IEC 62246-1:2015, le présent document sélectionne et spécifie les spécifications particulières-cadres et les spécifications particulières y compris les valeurs assignées des contacts de sécurité et les procédures d'essai pour les contacts à lames souples lorsque des exigences renforcées relatives à la vérification de la spécification d'évaluation de la qualité s'appliquent.

Le présent document décrit les programmes d'échantillonnage et d'essai pour les procédures d'homologation, le contrôle de conformité de la qualité, la formation de lots de contrôle et les intervalles entre essais.

NOTE Tous les types de contacts à lames souples excluent les contacts à lames souples au mercure.

CONTACTS À LAMES SOUPLES –

Partie 1-1: Spécification générique – Spécification particulière-cadre

1 Domaine d'application

La présente partie de l'IEC 62246 qui est une spécification particulière-cadre définit les exigences et les essais des contacts à lames souples utilisables dans les applications générales et industrielles.

Le présent document est destiné à être utilisé conjointement avec l'IEC 62246-1:2015 et des normes de produits spécifiques qui s'appliquent comme des éléments de commutation.

Le présent document sélectionne dans l'IEC 62246-1:2015 et dans d'autres sources les procédures d'essai appropriées à utiliser dans le cadre des spécifications particulières dérivées de la présente spécification.

Les types de contact à lames souples sont spécifiés en fonction des valeurs caractéristiques, y compris les valeurs assignées de fonctionnement pour la sécurité et les essais.

NOTE Les contacts à lames souples au mercure ne sont pas couverts par le présent document en raison de leur possible impact sur l'environnement.

2 Références normatives

Les documents suivants cités dans le texte constituent, pour tout ou partie de leur contenu, des exigences du présent document. Pour les références datées, seule l'édition citée s'applique. Pour les références non datées, la dernière édition du document de référence s'applique (y compris les éventuels amendements).

IEC 60068-2-6:2007, *Essais d'environnement – Partie 2-6: Essais – Essai Fc: Vibrations (sinusoïdales)*

IEC 60068-2-11:1981, *Essais fondamentaux climatiques et de robustesse mécanique – Partie 2-11: Essais – Essai Ka: Brouillard salin*

IEC 60068-2-14:2009, *Essais d'environnement – Partie 2-14: Essais – Essai N: Variation de température*

IEC 60068-2-17:1994, *Essais fondamentaux climatiques et de robustesse mécanique – Partie 2-17: Essais – Essai Q: Etanchéité*

IEC 60068-2-20:2008, *Essais d'environnement – Partie 2-20: Essais – Essai T: Méthodes d'essai de la brasabilité et de la résistance à la chaleur de brasage des dispositifs à broches*

IEC 60068-2-21:2006, *Essais d'environnement – Partie 2-21: Essais – Essai U: Robustesse des sorties et des dispositifs de montage incorporés*

IEC 60068-2-78:2012, *Essais d'environnement – Partie 2-78: Essais – Essai Cab: Chaleur humide, essai continu*

IEC 60127-2:2014, *Coupe-circuit miniatures – Partie 2: Cartouches*

IEC 61373:2010, *Applications ferroviaires – Matériel roulant – Essais de chocs et vibrations*

IEC 61810-2:2017, *Relais électromécaniques élémentaires – Partie 2: Fiabilité*

IEC 61810-2-1:2017, *Relais électromécaniques élémentaires – Partie 2-1: Fiabilité – Procédure de vérification des valeurs de B_{10}*

IEC 62246-1:2015, *Contacts à lames souples – Partie 1: Spécification générique*

ISO 2859-1:1999, *Règles d'échantillonnage pour les contrôles par attributs – Partie 1: Procédures d'échantillonnage pour les contrôles lot par lot, indexés d'après le niveau de qualité acceptable (NQA)*

3 Termes et définitions

Les termes et définitions de l'IEC 62246-1:2015, ainsi que les suivants s'appliquent.

L'ISO et l'IEC tiennent à jour des bases de données terminologiques destinées à être utilisées en normalisation, consultables aux adresses suivantes:

- IEC Electropedia: disponible à l'adresse <http://www.electropedia.org/>
- ISO Online browsing platform: disponible à l'adresse <http://www.iso.org/obp>

3.1 types de contacts à lames souples

3.1.1

type

produits ayant des caractéristiques de conception et des dimensions nominales similaires fabriqués par les mêmes techniques et s'inscrivant dans une plage de caractéristiques assignées spécifiées par le fabricant

Note 1 à l'article: Les accessoires de montage sont ignorés, à condition qu'ils n'aient pas d'effet significatif sur les résultats des essais.

3.1.2

variante

variation au sein d'un type ayant des caractéristiques spécifiques

3.1.3

contact à lames souples

ensemble contenant des lames souples de contact, en partie ou totalement en matériau magnétique, hermétiquement scellées dans une enveloppe et commandées au moyen d'un champ magnétique créé extérieurement (par exemple: l'excitation d'une bobine)

3.1.4

contact à lames souples à vide pour haute tension

contact à lames souples, dans lequel la capacité de commuter les hautes tensions est obtenue par un vide élevé dans une enveloppe hermétiquement scellée

3.1.5

contact à lames souples pour service intensif

contact à lames souples, avec une plus grande capacité de commutation

Note 1 à l'article: Les lames ayant des pièces de contact supplémentaires ou une pièce de contact et un ressort qui séparent le chemin magnétique et le chemin électrique sont des exemples types de techniques pour augmenter la capacité de commutation.

3.2 essais

3.2.1

essai de type

essai effectué sur un ou plusieurs contacts à lames souples réalisés selon une conception donnée, afin de vérifier que la conception satisfait à des spécifications données

3.2.2

essai individuel de série

essai de conformité effectué sur chaque contact à lames souples en cours ou en fin de fabrication

3.2.3

essai lot par lot

essai réalisé périodiquement sur un échantillon de contacts à lames souples extraits au moins une fois par mois d'une ligne de fabrication

3.2.4

essai périodique

essai réalisé périodiquement sur un échantillon de contacts à lames souples extraits d'une ligne de fabrication au moins une fois par an et tous les deux ans

Note 1 à l'article: Les résultats d'essais périodiques sont utilisés pour vérifier que le niveau de performance technique est maintenu.

Note 2 à l'article: Les intervalles des sous-groupes entre les essais A0, A4 et B1, C1 et C4 sont spécifiés en 4.8.

3.3 contrôle

3.3.1

contrôle

processus de mesure, d'examen, d'essai, ou en d'autres termes de comparaison de l'article produit avec les exigences spécifiées

3.3.2

NC

niveau de contrôle

spécification des limites inférieures pour l'essai lot par lot

Note 1 à l'article: Voir ISO 2859-1:1999, Article 9.

3.3.3

NQA

niveau de qualité acceptable

pourcentage maximal de défauts pouvant être tolérés comme risque, énoncé aux fins de contrôle par échantillonnage

Note 1 à l'article: Le contrôle sur échantillon avec la tolérance de risque associée est employé uniquement lorsque tous les articles produits contenus dans un lot de contrôle sont censés être pleinement conformes aux exigences de la spécification.

3.4 modes de sécurité et de défaillance

3.4.1

valeur de B_{10}

estimation ponctuelle de B_{10} , moment (en nombre de cycles) auquel 10 % de la population aura subi une défaillance

Note 1 à l'article: Lorsque des valeurs de B_{10} sont établies dans les spécifications particulières, il convient que l'essai d'endurance électrique mesure toutes les défaillances conformément à l'IEC 61810-2.

Note 2 à l'article: Voir l'Article A.3 de l'IEC 61810-2:2017.

3.4.2

valeur de B_{10D}

nombre de cycles jusqu'au moment auquel 10 % des composants connaissent une défaillance dangereuse

Note 1 à l'article: Les valeurs de B_{10D} sont calculées selon l'IEC 61810-2-1.

3.4.3

défaillance dangereuse

défaillance d'un élément et/ou sous-système et/ou système ayant une influence sur la mise en œuvre de la fonction de sécurité qui diminue la probabilité que la fonction de sécurité fonctionne correctement lorsque c'est nécessaire

[SOURCE: IEC 61508-4:2010, 3.6.7, modifiée – Le point a) a été supprimé.]

4 Programmes d'essais

4.1 Généralités

Les procédures d'évaluation de la qualité sont spécifiées dans le Tableau 1 qui est référencé dans les paragraphes correspondants de l'IEC 62246-1.

4.2 Ordre des essais

Le contrôle de conformité de la qualité est divisé en deux parties: celui réalisé lot par lot et sur lequel repose l'acceptation des lots individuels, et celui réalisé régulièrement et qui comporte des essais chronophages et plus onéreux.

Lorsque plusieurs essais doivent être effectués à la suite sur un échantillon ou un certain nombre d'échantillons, l'ordre suivant doit s'appliquer, sauf indication contraire dans la spécification particulière:

- a) un essai à 100 % avec
- b) les essais de groupes.

4.3 Groupes et sous-groupes d'essai

Pour le sous-groupe d'essai à 100 %, un contact à lames souples doit être rejeté lorsqu'il ne satisfait à aucun essai. Pour les besoins de la détection, un contact peut être considéré comme étant fermé lorsque la chute de tension qui le traverse est inférieure à la moitié de sa valeur en circuit ouvert. Les conditions d'essai doivent être indiquées dans la spécification particulière.

4.4 Essai de type

- L'échantillonnage et le programme d'essais sont spécifiés dans les Tableaux 2 et 3.
- Les essais spécifiés et leur ordre sont obligatoires.
- Sauf spécification contraire, les essais énoncés dans les Tableaux 2 et 3 sont obligatoires pour les variantes.

4.5 Contrôle de conformité de la qualité

Un essai initial de conformité doit être effectué avec succès, puis confirmé par des essais individuels de série, des essais lot par lot et des essais périodiques.

Le contrôle de conformité de la qualité contient les essais énoncés dans le Tableau 4:

- Groupe A: essais individuels de série;
- Groupes A et B: essais lot par lot;

- Groupe C: essais périodiques.

Sauf indication contraire dans le présent document, tous les essais du Tableau 4 sont obligatoires.

Lorsqu'un sous-groupe comporte des essais cumulés, l'ordre des essais est obligatoire. Les échantillons qui ont été soumis à des essais désignés comme étant destructifs (D) ne doivent pas être utilisés pour la livraison. Les échantillons qui ont été soumis à des essais désignés comme étant non destructifs (ND) peuvent être utilisés pour la livraison.

4.6 Formation des lots de contrôle

La référence pour déterminer la taille de l'échantillon à soumettre à l'essai pour contrôler la conformité de la qualité est la quantité de contacts à lames souples produite au cours d'un mois.

4.7 Essai périodique

L'essai périodique doit être effectué à intervalles réguliers spécifiés par le fabricant, au moins avec le courant de fonctionnement assigné I_e seulement.

Pour chaque essai périodique, la valeur de B_{10} évaluée doit être d'au moins 80 % de la valeur de B_{10} obtenue par l'essai de conformité.

Les effectifs d'échantillon fixés pour le contrôle du groupe C doivent être prélevés d'un lot (ou de lots) qui a satisfait au contrôle des groupes A et B pendant ou à la fin de la période de référence spécifiée.

4.8 Intervalles entre essais périodiques

- Sous-groupe A0: à l'expédition.
- Sous-groupes A4 et B1: le fabricant spécifie les intervalles.
- Sous-groupes C1: au moins une fois par an.
- Sous-groupe C4: au moins une fois tous les deux ans.

4.9 Conditions normalisées pour les essais

Sauf indication contraire, tous les essais doivent être réalisés dans des conditions normalisées conformément à 6.3 de l'IEC 62246-1:2015.

4.10 Montage des échantillons d'essai au cours de l'essai

L'exigence suivante doit s'appliquer aux essais de chocs et de vibrations.

Le contact à lames souples doit être monté au dispositif de fixation d'essai selon sa méthode normale de montage, les résonances intrinsèques ayant été réduites le plus possible afin de ne pas invalider l'essai.

4.11 Conditions générales pour les essais

Sauf indication contraire, le nombre de bobines d'essai et, le cas échéant, leur polarité spécifiée dans le Tableau 5 doivent être utilisés pour tous les essais. Sauf indication contraire dans le présent document, la polarité doit être telle que spécifiée par le fabricant.

Tableau 1 – Procédure d'essai de l'évaluation de la qualité

		Contrôle de la conformité de la qualité (niveau de contrôle / grandeurs d'échantillonnage)					Essai d'homologation	Essai d'homologation (Effectif d'échantillon/ Nombre acceptable de défaillances pendant l'essai)																															
Groupe		A		B	C		En production en série	Gr. 1	Gr. 2	Gr.3	Gr. 4	Gr. 5	Gr. 6	Gr. 7	Gr. 8	Gr. 9	Gr. 10	Gr. 11	Gr. 12	Gr. 13	Gr. 14																		
Sous-groupe		A0	A4	B1	C1	C4		Contrôle du premier article	170 contacts min.	170/0	6/0	6/0	6/0	6/0	6/0	6/0	6/0	6/0	6/0	6/0	6/0	6/0	6/0																
Intervalle entre essais		Essai individuel de série		Essai de type		Essais lot par lot																																	
Fréquence (temps)		À l'expédition	1/M	1/M	1/Y																			1/2 Y															
Essai de type																																							
Essai individuel de série		100 %																																					
Contrôle par échantillonnage			NC: S4	NC: S3																																			
Essais périodiques					Oui	Oui																																	
Numéro d'essai dans le Tableau 2	1. Examen visuel (6.4)	Oui	Oui																					170 contacts															
	2. Manœuvre fonctionnelle (6.5)	Oui	Oui																																				
	3. Résistance de contact (6.7)	Oui	Oui																																				
	4. Essai diélectrique (6.8)	Oui	Oui																																				
	5. Temps de fonctionnement (6.10)	Oui	Oui																																				
	6. Étanchéité (6.21)	Oui	Oui																																				
	7. Essai de rémanence (6.6)						18 contacts		6/0																														
	8. Résistance d'isolement (6.9)									6/0																													
	9. Coincement de contact (6.11)									6/0																													
	10. Robustesse des bornes (6.12)					6	18 contacts			6/0																													
	11. Brasage (6.13)					5					6/0																												
	12. Séquence climatique (6.14)					6	18 contacts			6/0																													
	13. Chaleur humide, régime établi (6.15)											6/0																											

		Contrôle de la conformité de la qualité (niveau de contrôle / grandeurs d'échantillonnage)					Essai d'homologation	Essai d'homologation (Effectif d'échantillon/ Nombre acceptable de défaillances pendant l'essai)											
14.	Variation rapide de la température (6.16)																		
15.	Brouillard salin (6.17)																		
16.	Vibration – fonctionnel, survie (6.18)				6		24 contacts												
17.	Choc – fonctionnel, survie (6.19)					6													
18.	Endurance électrique (6.22)				5		10 contacts												
19.	Endurance mécanique (6.23)					20	20 contacts												
20.	Fréquence maximale des cycles (6.24)						6 contacts												
21.	Essai de fiabilité des contacts (6.28)				S3		20 contacts												
A1.	Vibration – fonctionnel (IEC 61373: 2010)						6 contacts												
A2.	Choc (IEC 61373: 2010)						6 contacts												
A3.	Pouvoir de fermeture et de coupure (6.26)						3 contacts												
A4.	Essai de courant de court-circuit conditionnel (6.27)						3 contacts												
A5.	Échauffement (6.29)						3 contacts												
A6.	Essai du pouvoir de fermeture en courant (6.30)					6	6 contacts												
A7.	Essai du pouvoir de coupure en courant (6.31)					6	6 contacts												
B1.	Essai de résistance aux ondes de choc (6.25)					3	3 contacts												

NOTE 1 Numéro d'essai applicable du Tableau 2, A1 à A7: Variante A des contacts à lames souples pour service intensif seulement, B1: Variante B des contacts à lames souples pour service intensif seulement.

NOTE 2 Le numéro interne à la fin du numéro d'essai dans le Tableau 1 – Contrôle de la conformité de la qualité, indique le numéro de paragraphe selon l'IEC 62246-1:2015.

Tableau 2 – Échantillonnage et programme d'essais de type (1 de 5)

Essai n°	Essai	Conditions d'essai selon l'IEC 62246-1:2015	Effectif d'échantillon	Nombre acceptable de défaillances	Exigences de performance
1	Contrôle visuel et contrôle des dimensions (ND)	Paragraphe 6.4	170	0	Conformément au Tableau 4 Marquage tel que spécifié en 6.1
2	Essais fonctionnels (ND)	Paragraphe 6.5, Procédure 1 Points d'application et nombre de bobines d'essai normalisées: Valeur de fonctionnement: Valeur de saturation: 150 % de la valeur de fonctionnement valeur de relâchement: Échec de fermeture et échec d'ouverture de contact par surveillance d'un courant, typiquement 10 mA à 24 V max. en courant continu			Conformément au Tableau 5 Conformément au Tableau 4
3	Résistance du circuit de contact (ND)	Paragraphe 6.7 Points d'application: bornes de contacts fermés Nombre de bobines d'essai normalisées: Tension de bobine d'essai: 150 % de la valeur de fonctionnement Tension d'essai max.: 6 V en courant continu ou 6 V en courant alternatif Courant d'essai max.: 1 A			Valeur initiale selon le Tableau 4 Conformément au Tableau 5
4	Essai diélectrique (ND)	Paragraphe 6.8 Points d'application et tension d'essai: Durée d'essai: 1 min NOTE Un essai plus court à une tension plus élevée peut être énoncé dans la spécification particulière.			Conformément au Tableau 4 Courant de fuite maximal: 0,5 mA
5	Temps de fonctionnement (ND)	Paragraphe 6.10 Points d'application et nombre de bobines d'essai normalisées: Tension de bobine d'essai: 150 % de la valeur de fonctionnement Temps de fonctionnement: Temps de relâchement: Temps de rebondissement en fonctionnement: Échec de fermeture et échec d'ouverture de contact par surveillance d'un courant, typiquement 10 mA à 24 V max. en courant continu			Conformément au Tableau 5 Conformément au Tableau 4

Essai n°	Essai	Conditions d'essai selon l'IEC 62246-1:2015	Effectif d'échantillon	Nombre acceptable de défaillances	Exigences de performance
6	Étanchéité (ND)	<p>Paragraphe 6.21</p> <p>Points d'application et nombre de bobines d'essai normalisées:</p> <p>Durée de l'arc pendant l'essai dans le cas des contacts à lames souples pour service intensif:</p> <p>Tension de bobine d'essai: 150 % de la valeur de fonctionnement</p> <p>Tension d'essai: 100 V en courant continu à 110 V en courant continu</p> <p>Courant d'essai: 0,5 A à 0,55 A</p> <p>Nombre total de manœuvres exigées: 3</p> <p>Essai de fuite pour contacts à lames souples et contact à lames souples à vide et haute tension.</p>			<p>Conformément au Tableau 5</p> <p>Conformément au Tableau 8</p>
7	Essais de rémanence(ND)	<p>Paragraphe 6.6</p> <p>Points d'application et nombre de bobines d'essai normalisées:</p> <p>Valeur de saturation: 150 % de la valeur de fonctionnement</p> <p>Valeur de seuil de fonctionnement 1</p> <p>Valeur de saturation (polarité inverse): 150 % de la valeur de fonctionnement</p> <p>Valeur de seuil de fonctionnement 2</p>	6	0	<p>Conformément au Tableau 5</p> <p>Valeur de rémanence: max. 10 %</p>
8	Essai d'isolement (ND)	<p>Paragraphe 6.9</p> <p>Points d'application et tension d'essai:</p>	6	0	Conformément au Tableau 4
9	<p>Coincement de contact (ND)</p> <p>Coincement thermique</p> <p>Coincement magnétostrictif</p>	<p>Paragraphe 6.11.1, Procédure 1</p> <p>Points d'application et nombre de bobines d'essai normalisées:</p> <p>Température de catégorie supérieure:</p> <p>150 °C pour les contacts à lames souples pour service intensif</p> <p>125 °C pour les contacts à lames souples</p> <p>Valeur de saturation: 150 % de la valeur de fonctionnement</p> <p>Durée d'essai: minimum 24 h</p> <p>Max. valeur admissible:</p> <p>Paragraphe 6.11.2</p> <p>Points d'application et nombre de bobines d'essai</p>	6	0	<p>Conformément au Tableau 5</p> <p>Valeur admissible: max. 10 %</p> <p>Conformément au Tableau 5</p> <p>Zéro échec de coupure</p>

Essai n°	Essai	Conditions d'essai selon l'IEC 62246-1:2015	Effectif d'échantillon	Nombre acceptable de défaillances	Exigences de performance
		normalisées: Fréquence d'impulsion: 10 cycles par s Limites pour la valeur crête à crête de l'impulsion: 200 % et 100 % de la valeur de fonctionnement Nombre de cycles d'essai: 5 Résistance minimum du circuit de contact définissant l'échec de coupure:			Conformément au Tableau 4
10	Robustesse des bornes (D)	Paragraphe 6.12 (conformément à l'IEC 60068-2-21) Procédure: essai Ua1–traction Mesurages finaux: Essai 1 – contrôle visuel Essai 2 – essais fonctionnels Essai 6 – étanchéité	6	0	Conformément au Tableau 4 Ni rupture ni desserrage de bornes Aucune fissure ou autre détérioration Conformément au Tableau 4 Conformément au Tableau 8
11	Brasage (D)	Paragraphe 6.13 (conformément à l'IEC 60068-2-20, essai Ta, méthode 1) Température: (250 ± 5) °C Durée: (2 ± 0,5) s Point d'application: 5 mm des joints verre-métal	6	0	Lorsqu'elle est examinée avec une loupe grossissante, la surface trempée doit être recouverte à 95 % d'un nouveau revêtement appliqué par brasage, les 5 % restants peuvent contenir des petites piqures seulement
		Paragraphe 6.13 (conformément à l'IEC 60068-2-20, essai Ta, méthode 2) Température: (350 ± 5) °C Durée: (3 ± 0,5) s Point d'application: 5 mm des joints verre-métal Mesurages finaux: Essai 1 – essai visuel Essai 2 – essais fonctionnels Essai 6 – étanchéité			
12	Séquence climatique (D)	Paragraphe 6.14 Chaleur sèche, 6.14.2 de l'IEC 62246-1:2015 Points d'application et nombre de bobines d'essai normalisées:	6	0	Conformément au Tableau 5

Essai n°	Essai	Conditions d'essai selon l'IEC 62246-1:2015	Effectif d'échantillon	Nombre acceptable de défaillances	Exigences de performance
		<p>Température: 200 °C pour les contacts à lames souples pour service intensif 125 °C pour les contacts à lames souples et le contact à lames souples à vide et haute tension Durée: 16 h Reprise: 4 h Au cours des dernières 2 h d'exposition à la chaleur sèche: surveillance de la résistance du circuit de contact Nombre de cycles par s: 2 Facteur d'utilisation: 1:1 Tension de contact d'essai: max. 6 V en courant continu ou en courant alternatif Courant de contact d'essai: max. 1 A Avant la fin de l'exposition à la chaleur sèche: Essai 2 – essais fonctionnels Chaleur humide cyclique, 6.14.2 de l'IEC 62246-1:2015, un cycle Température: 55 °C Reprise: 4 h Froid, 6.14.2 de l'IEC 62246-1:2015 Température: – 50 °C pour les contacts à lames souples pour service intensif – 40 °C pour les contacts à lames souples et le contact à lames souples à vide et haute tension Durée: 2 h Avant la fin de l'exposition au froid: Essai 2 – essais fonctionnels Chaleur humide cyclique, 6.14.2 de l'IEC 62246-1:2015, un cycle Température: 55 °C Reprise: 4 h</p>			<p>Valeur conforme au Tableau 8</p> <p>Valeur conforme au Tableau 8</p>
		<p>Mesurages finaux: Essai 4 – essai diélectrique Essai 2 – essais fonctionnels Essai 3 – résistance du circuit de contact Essai 1 – contrôle visuel</p>			<p>Conformément au Tableau 4</p> <p>Conformément au Tableau 4</p> <p>Conformément au Tableau 4</p> <p>Aucune fissure ou autre détérioration</p>

Essai n°	Essai	Conditions d'essai selon l'IEC 62246-1:2015	Effectif d'échantillon	Nombre acceptable de défaillances	Exigences de performance
		Essai 6 – essai d'étanchéité			Conformément au Tableau 8
13	Chaleur humide, régime établi (D)	Paragraphe 6.15 (conformément à l'IEC 60068-2-78:2012) Température: 40 °C Humidité: 95 % RH Durée de conditionnement: 10 jours Mesurages finaux: Essai 4 – essai diélectrique Essai 2 – essais fonctionnels Essai 3 – résistance du circuit de contact Essai 1 – contrôle visuel Essai 6 – essai d'étanchéité Essai 11 – soudabilité	6	0	Conformément au Tableau 4 Conformément au Tableau 4 Conformément au Tableau 4 Conformément au Tableau 4 Aucune fissure ou autre détérioration Conformément au Tableau 8
14	Variation rapide de la température (D)	Paragraphe 6.16 (conformément à l'IEC 60068-2-14) Basse température: - 50 °C Haute température: 100 °C Durée d'exposition: 20 min Temps de transition: 1 min Nombre de cycles: 10 Mesurages finaux: Essai 4 – essai diélectrique Essai 2 – essais fonctionnels Essai 3 – résistance du circuit de contact Essai 1 – contrôle visuel Essai 6 – essai d'étanchéité	6	0	Conformément au Tableau 4 Conformément au Tableau 4 Conformément au Tableau 4 Aucune fissure ou autre détérioration Conformément au Tableau 8
15	Brouillard salin (D)	Paragraphe 6.17 (conformément à l'IEC 60068-2-11:1981) Concentration: 5 ± 1 % en poids Valeur du PH: 6,5 à 7,2 Température: 35 °C Durées: 168 h pour les contacts à lames souples pour service intensif 24 h pour les contacts à lames souples et le contact à lames souples à vide et haute tension Mesurages finaux:	6	0	

Essai n°	Essai	Conditions d'essai selon l'IEC 62246-1:2015	Effectif d'échantillon	Nombre acceptable de défaillances	Exigences de performance
		Essai 4 – essai diélectrique Essai 2 – essais fonctionnels Essai 3 – résistance du circuit de contact Essai 1 – contrôle visuel Essai 6 – essai d'étanchéité			Conformément au Tableau 4 Conformément au Tableau 4 Conformément au Tableau 4 Ni rupture ni desserrage de bornes Conformément au Tableau 8
16	Vibrations (D) Fonctionnel	Paragraphe 6.18 Type de contacts d'essai et nombre de bobines d'essai normalisées: conformément au Tableau 5 Tension de bobine d'essai: 150 % de la valeur de fonctionnement Axe de montage:	6	0	Aucune ouverture de circuit de contact fermé avec condition d'alimentation en énergie ou fermeture de circuit de contact ouvert ne doit dépasser 10 µs Le contact mobile doit être placé dans la direction transversale
		Conditions de vibration: Application: trois directions Nombre de balayages par direction: 3 Vitesse de balayage: 1 octave/min ± 10 % Durée totale: approx. 3 × 10 min Tension et courant de contact d'essai: 24 V max. en courant continu, 10 mA max. Mesurages finaux: Essai 1 – contrôle visuel Essai 2 – essais fonctionnels Essai 6 – essai d'étanchéité			Conformément au Tableau 8 Aucune fissure ou autre détérioration Conformément au Tableau 4 Conformément au Tableau 8
	Vibrations (D) Survie	Paragraphe 6.18 Type de contacts d'essai et nombre de bobines d'essai normalisées: conformément au Tableau 5 Tension de bobine d'essai: 150 % de la valeur de fonctionnement Axe de montage: Conditions de vibration: Application: trois directions Fréquence: 5 Hz à 150 Hz Nombre de balayages par direction: 3 Vitesse de balayage: 1 octave/min ± 10 % Durée d'essai: min. 5 h chacun	6	0	Le contact mobile doit être placé dans la direction transversale

Essai n°	Essai	Conditions d'essai selon l'IEC 62246-1:2015	Effectif d'échantillon	Nombre acceptable de défaillances	Exigences de performance
		<p>Valeurs crête à crête:</p> <p>Direction verticale: 7,90 (m/s²)</p> <p>Direction transversale: 3,5 (m/s²)</p> <p>Direction longitudinale: 5,50 (m/s²)</p> <p>Tension et courant de contact d'essai: 24 V max. en courant continu, 10 mA max.</p> <p>Mesurages finaux: Essai 1 – contrôle visuel</p> <p>Essai 2 – essais fonctionnels</p> <p>Essai 6 – essai d'étanchéité</p>			<p>Aucune fissure ou autre détérioration</p> <p>Conformément au Tableau 4</p> <p>Conformément au Tableau 8</p>
17	Choc (D) Fonctionnel	<p>Paragraphe 6.19</p> <p>Type de contacts d'essai et nombre de bobines d'essai normalisées: conformément au Tableau 5</p> <p>Tension de bobine d'essai: 150 % de la valeur de fonctionnement</p> <p>Axe de montage:</p> <p>Conditions de chocs: Application: trois directions</p> <p>Nombre de chocs: 18 (trois positifs et trois négatifs dans chacun des trois plans orthogonaux)</p> <p>Durée: 11 ms</p> <p>Tension et courant de contact d'essai: 24 V max. en courant continu, 10 mA max.</p> <p>Mesurages finaux:</p>	6	0	<p>Aucune ouverture de circuit de contact fermé avec condition d'alimentation en énergie ou fermeture de circuit de contact ouvert ne doit dépasser 10 µs</p> <p>Le contact mobile doit être placé dans la direction transversale</p> <p>Conformément au Tableau 8</p>
		<p>Essai 1 – contrôle visuel</p> <p>Essai 2 – essais fonctionnels</p> <p>Essai 6 – essai d'étanchéité</p>			<p>Aucune fissure ou autre détérioration</p> <p>Conformément au Tableau 4</p> <p>Conformément au Tableau 8</p>
	Choc (D) Survie	<p>Paragraphe 6.19</p> <p>Type de contacts d'essai et nombre de bobines d'essai normalisées: conformément au Tableau 5</p> <p>Tension de bobine d'essai: 150 % de la valeur de fonctionnement</p> <p>Axe de montage:</p>	6	0	<p>Aucune fissure ou autre détérioration</p> <p>Le contact mobile doit être placé dans la direction transversale</p>

Essai n°	Essai	Conditions d'essai selon l'IEC 62246-1:2015	Effectif d'échantillon	Nombre acceptable de défaillances	Exigences de performance
		<p>Conditions de chocs:</p> <p>Application: trois directions</p> <p>Nombre de chocs: 18 (trois positifs et trois négatifs dans chacun des trois plans orthogonaux)</p> <p>Durée: 11 ms</p> <p>Mesurages finaux:</p> <p>Essai 1 – contrôle visuel</p> <p>Essai 2 – essais fonctionnels</p> <p>Essai 6 – essai d'étanchéité</p>			<p>Conformément au Tableau 8</p> <p>Conformément au Tableau 4</p> <p>Conformément au Tableau 4</p> <p>Conformément au Tableau 8</p>
18	Endurance électrique (D)	<p>Paragraphe 6.22</p> <p>Type de contacts d'essai et nombre de bobines d'essai normalisées:</p> <p>Tension de bobine d'essai: 150 % de la valeur de fonctionnement</p> <p>Suppression pour bobine: N/A</p> <p>Facteur d'utilisation: 50 %</p> <p>Conditions de charge de commutation:</p> <p>Conditions de surveillance</p> <p>Mesurages finaux:</p> <p>Essai 3 – résistance du circuit de contact</p> <p>Essai 2 – essais fonctionnels</p> <p>Essai 4 – essai diélectrique</p>	10	10	<p>Estimation des valeurs de B_{10}</p> <p>Conformément au Tableau 5</p> <p>Conformément aux Tableaux 5, 6 et à l'Annexe D</p> <p>Conformément aux Tableaux 5 et 6</p> <p>À chaque cycle au cours de l'essai</p> <p>Conformément au Tableau 4</p> <p>Conformément au Tableau 4</p> <p>Conformément à 5.1.4</p>
19	Endurance mécanique (D)	<p>Paragraphe 6.23</p> <p>Type de contacts d'essai et nombre de bobines d'essai normalisées:</p> <p>Tension de bobine d'essai: 150 % de la valeur de fonctionnement</p> <p>Suppression pour bobine: N/A</p> <p>Facteur d'utilisation: 50 %</p> <p>Nombre de cycles par s: 50 à 60</p> <p>Mesurages périodiques:</p> <p>1×10^6; 3×10^6; 5×10^6; 7×10^6; 1×10^7; 3×10^7; 5×10^7; 7×10^7; et 10^8</p>	20	1	<p>Il ne doit y avoir aucune pièce brisée</p> <p>Conformément au Tableau 5</p>

Essai n°	Essai	Conditions d'essai selon l'IEC 62246-1:2015	Effectif d'échantillon	Nombre acceptable de défaillances	Exigences de performance
		<p>Limites pour échec de fermeture:</p> <p>Limites pour échec de coupure:</p> <p>Essai 3 – résistance du circuit de contact</p> <p>Essai 2 – essais fonctionnels</p>			<p>±20 % de variation de la valeur de fonctionnement pour les contacts à lames souples pour service intensif</p> <p>±15 % de variation de la valeur de fonctionnement pour les contacts à lames souples</p> <p>50 % de variation de la valeur de relâchement pour les contacts à lames souples pour service intensif</p> <p>30 % de variations de la valeur de relâchement pour les contacts à lames souples</p> <p>Conformément au Tableau 4</p> <p>Conformément au Tableau 4</p>
20	Fréquence maximale des cycles	<p>Paragraphe 6.24, Procédure</p> <p>Type de contacts d'essai et nombre de bobines d'essai normalisées:</p> <p>Tension de bobine d'essai: 150 % de la valeur de fonctionnement</p> <p>Temps de rebondissement maximal: 3 ms</p> <p>Suppression pour bobine: N/A</p> <p>Facteur d'utilisation: 50 %</p> <p>Fréquence maximale de cycles par s: 60</p>	6	0	<p>Conformément au Tableau 5</p> <p>Conformément au Tableau 4</p>
21	Essai de fiabilité des contacts (D)	<p>Paragraphe 6.28</p> <p>Type de contacts d'essai et nombre de bobines d'essai normalisées:</p> <p>Tension de bobine d'essai: 150 % de la valeur de fonctionnement</p> <p>Suppression pour bobine: N/A</p> <p>Facteur d'utilisation: 50 %</p> <p>Conditions de charge de commutation:</p> <p>Conditions de surveillance</p> <p>Mesurages finaux:</p> <p>Essai 3 – résistance du circuit de contact</p> <p>Essai 2 – essais fonctionnels</p>	20	0	<p>Conformément au Tableau 5</p> <p>Conformément au Tableau 6</p> <p>Conformément au Tableau 6</p> <p>À chaque cycle de manœuvres</p> <p>Conformément au Tableau 4</p> <p>Conformément au Tableau 4</p>

Tableau 2 (2 de 5)

Essais spécifiques pour la Variante A des contacts à lames souples pour service intensif seulement

Essai n°	Essai	Conditions d'essai selon l'IEC 62246-1:2015	Effectif d'échantillon	Nombre acceptable de défaillances	Exigences de performance
A1	Vibrations (D) Fonctionnel	<p>L'Article 8 de l'IEC 61373:2010 s'applique</p> <p>Type de contacts d'essai et nombre de bobines d'essai normalisées: conformément au Tableau 5</p> <p>Tension de bobine d'essai: 150 % de la valeur de fonctionnement</p> <p>Axe de montage:</p> <p>Conditions de vibration: Application: trois directions Fréquence: 5 Hz à 150 Hz Nombre de balayages par direction: 3 Vitesse de balayage: 1 octave/min ± 10 % Durée totale: approx. 3 × 10 min Valeurs crête à crête: Direction verticale: 1,00 (m/s²) Direction transversale: 0,45 (m/s²) Direction verticale: 0,70 (m/s²)</p> <p>Tension et courant de contact d'essai: Max. 24 V en courant continu, max. 10 mA</p> <p>Mesurages finaux: Essai 1 – contrôle visuel</p> <p>Essai 2 – essais fonctionnels</p> <p>Essai 6 – essai d'étanchéité</p>	6	0	<p>Aucune ouverture de circuit de contact fermé avec condition d'alimentation en énergie ou fermeture de circuit de contact ouvert ne doit dépasser 10 µs</p> <p>Le contact mobile doit être placé dans la direction transversale</p> <p>Aucune fissure ou autre détérioration</p> <p>Conformément au Tableau 4</p> <p>Conformément au Tableau 8</p>
A2	Choc (D)	L'Article 10 de l'IEC 61373:2010 s'applique	6	0	Aucune ouverture de circuit de contact

Essai n°	Essai	Conditions d'essai selon l'IEC 62246-1:2015	Effectif d'échantillon	Nombre acceptable de défaillances	Exigences de performance
		<p>Type de contacts d'essai et nombre de bobines d'essai normalisées: conformément au Tableau 5</p> <p>Tension de bobine d'essai: 150 % de la valeur de fonctionnement</p> <p>Axe de montage:</p> <p>Conditions de chocs:</p> <p>Application: trois directions</p> <p>Nombre de chocs: 18 (trois positifs et trois négatifs dans chacun des trois plans orthogonaux)</p> <p>Durée: 25 ms</p> <p>Valeurs d'accélération de crête:</p> <p>Direction verticale: 30 (m/s²)</p> <p>Direction transversale: 30 (m/s²)</p> <p>Direction longitudinale: 50 (m/s²)</p> <p>Tension de contact d'essai: max. 24 V en courant continu</p> <p>Courant de contact d'essai: max. 10 mA</p> <p>Mesurages finaux:</p> <p>Essai 1 – contrôle visuel</p> <p>Essai 2 – essais fonctionnels</p> <p>Essai 6 – essai d'étanchéité</p>			<p>Aucune fissure ou autre détérioration</p> <p>Conformément au Tableau 4</p> <p>Conformément au Tableau 8</p>

Tableau 2 (3 de 5)

Essais spécifiques pour la Variante A des contacts à lames souples pour service intensif seulement

Essai n°	Essai	Conditions d'essai selon l'IEC 62246-1:2015	Effectif d'échantillon	Nombre acceptable de défaillances	Exigences de performance
A3	Pouvoirs de fermeture et de coupure (D)	<p>Paragraphe 6.26</p> <p>Type de contacts d'essai et nombre de bobines d'essai normalisées:</p> <p>Tension de bobine d'essai: 150 % de la valeur de fonctionnement</p> <p>Suppression pour bobine: N/A</p> <p>Valeurs assignées du contact:</p> <p>Conditions de surveillance</p> <p>Mesurages finaux:</p> <p>Essai 3 – résistance du circuit de contact</p> <p>Si applicable:</p> <p>Essai 2 – essais fonctionnels</p> <p>Essai 4 – essai diélectrique</p>	3	0	<p>Conformément au Tableau 5</p> <p>Conformément au Tableau 6</p> <p>À chaque cycle au cours de l'essai</p> <p>Conformément au Tableau 4</p> <p>Conformément au Tableau 4</p>

Tableau 2 (4 de 5)

Essais spécifiques pour la Variante A des contacts à lames souples pour service intensif seulement

Essai n°	Essai	Conditions d'essai selon l'IEC 62246-1:2015	Effectif d'échantillon	Nombre acceptable de défaillances	Exigences de performance
A4	Essai de courant de court-circuit conditionnel (D)	<p>Paragraphe 6.27</p> <p>Type de contacts d'essai et nombre de bobines d'essai normalisées:</p> <p>Tension de bobine d'essai: 150 % de la valeur de fonctionnement</p> <p>Suppression pour bobine: N/A</p> <p>Type de DPCC: type FH de coupe-circuit au pouvoir de coupure élevé et à action rapide conformément à l'IEC 60127-2:2014, feuille de norme 1</p> <p>Valeurs assignées de DPCC: 5 A, 250 V</p> <p>Tension d'essai: 264 V en courant alternatif ou 115 V en courant continu</p> <p>Valeur efficace courant d'essai: 20 A en courant alternatif et courant continu</p> <p>Durée minimum entre essais: 3 min</p> <p>Nombre d'essais: 3</p> <p>Mesurages finaux:</p> <p>Essai 1 – essai visuel</p> <p>Essai 2 – essais fonctionnels</p> <p>Essai 4 – essai diélectrique</p>	3	0	<p>Conformément au Tableau 5</p> <p>Conformément au Tableau 8</p> <p>Aucune fissure ou autre détérioration</p> <p>Conformément au Tableau 4</p> <p>Conformément au Tableau 4</p>
A5	Échauffement (ND)	<p>Paragraphe 6.29</p> <p>Type de contacts d'essai et nombre de bobines d'essai normalisées:</p> <p>Tension de bobine d'essai: 150 % de la valeur de fonctionnement</p> <p>Suppression pour bobine: N/A</p> <p>Courant d'essai</p> <p>Positions de mesure: bornes</p> <p>Durée de mesure: 1,5 h</p> <p>Mesurages finaux:</p> <p>Essai 1 – essai visuel</p> <p>Essai 3 – résistance du circuit de contact</p> <p>Essai 2 – essai fonctionnel</p>	3	0	<p>Conformément au Tableau 5</p> <p>Conformément au Tableau 4</p> <p>Aucun dommage ou autre détérioration</p> <p>Conformément au Tableau 4</p> <p>Conformément au Tableau 4</p>

Tableau 2 (5 de 5)

Essais spécifiques pour les Variantes A et B des contacts à lames souples pour service intensif seulement

Essai n°	Essai	Conditions d'essai selon l'IEC 62246-1:2015	Effectif d'échantillon	Nombre acceptable de défaillances	Exigences de performance
A6	Pouvoir de fermeture en courant (D)	<p>Paragraphe 6.30</p> <p>Type de contacts d'essai et nombre de bobines d'essai normalisées:</p> <p>Tension de bobine d'essai: 150 % de la valeur de fonctionnement</p> <p>Suppression pour bobine: N/A</p> <p>Conditions de charge d'établissement:</p> <p>Conditions de surveillance:</p> <p>Temps de surveillance: $t_1 = 400$ ms, $\tau_1 = 50$ ms</p> <p>Essai 3 – résistance du circuit de contact</p> <p>Si applicable:</p> <p>Essai 2 – essais fonctionnels</p> <p>Essai 4 – essai diélectrique</p>	6	0	<p>Conformément au Tableau 5</p> <p>Conformément au Tableau 6</p> <p>À chaque cycle de manœuvres</p> <p>Conformément au Tableau 4</p> <p>Conformément au Tableau 4</p>
A7	Pouvoir de coupure en courant (D)	<p>Paragraphe 6.31</p> <p>Type de contacts d'essai et nombre de bobines d'essai normalisées:</p> <p>Tension de bobine d'essai: 150 % de la valeur de fonctionnement</p> <p>Suppression pour bobine: N/A</p> <p>Conditions de charge de coupure:</p> <p>Conditions de surveillance:</p> <p>Temps de surveillance: $t_2 = 400$ ms, $\tau_2 = 50$ ms</p> <p>Essai 3 – résistance du circuit de contact</p> <p>Si applicable:</p> <p>Essai 2 – essais fonctionnels</p> <p>Essai 4 – essai diélectrique</p>	6	0	<p>Conformément au Tableau 5</p> <p>Conformément au Tableau 6</p> <p>À chaque cycle de manœuvres</p> <p>Conformément au Tableau 4</p> <p>Conformément au Tableau 4</p>

Essai spécifique pour la Variante B des contacts à lames souples pour service intensif seulement

Essai n°	Essai	Conditions d'essai selon l'IEC 62246-1:2015	Effectif d'échantillon	Nombre acceptable de défaillances	Exigences de performance
B1	Essai de résistance aux ondes de choc (D)	Paragraphe 6.25 Tension d'essai: 3 000 V Forme d'onde de la tension d'essai: 1,2 µs × 50 µs Nombre d'impulsions: 6 impulsions (trois positives et trois négatives) Mesurages finaux: Essai 1 – essai visuel Essai 2 – essais fonctionnels Essai 4 – essai diélectrique	3	0	Conformément au Tableau 6 Aucune fissure ou autre détérioration Conformément au Tableau 4 Conformément au Tableau 4

Tableau 3 – Échantillonnage et programme d'essais de type (pour groupes)

Au moins 170 contacts à lames souples doivent satisfaire aux essais du Groupe 1. Les échantillons prélevés dans les 170 spécimens doivent ensuite être soumis aux essais des Groupes 2 à 14 selon le cas.

Essai	Conditions et exigences des essais			Effectif d'échantillon	Nombre acceptable de défaillances pendant l'essai
	Conditions d'essai selon l'IEC 62246-1:2015				
	Paragraphe	Conditions d'essai particulières	N° d'essai et description dans le Tableau 2		

Groupe 1

Examen visuel	6.4		1	170	0
Essais fonctionnels	6.5	Procédure 1	2		
Résistance du circuit de contact	6.7		3		
Essai diélectrique	6.8		4		
Temps de fonctionnement	6.10		5		
Étanchéité	6.21		6		

Groupe 2

Essai de rémanence	6.6		7	6	0
Résistance d'isolement	6.9		8	6	0
Coincement de contact	6.11	Procédure 1	9	6	0

Groupe 3

Robustesse des bornes	6.12		10	6	0
Brasage	6.13		11	6	0
Séquence climatique	6.14		12	6	0

Groupe 4

Chaleur humide, régime continu	6.15		13	6	0
Variation rapide de la température	6.16		14	6	0
Brouillard salin	6.17		15	6	0

Groupe 5

Vibrations	6.18	IEC 60068-2-6	16	12	0
Chocs	6.19		17	12	0

Groupe 6

Essai d'endurance électrique	6.22	Tableau 3	18	10	10
------------------------------	------	-----------	----	----	----

Groupe 7

Essai d'endurance mécanique	6.23		19	20	1
-----------------------------	------	--	----	----	---

Groupe 8

Fréquence maximale des cycles	6.24		20	6	0

Groupe 9

Essai de fiabilité des contacts	6.28		21	20	0
---------------------------------	------	--	----	----	---

Groupe 10 (Variante A des contacts à lames souples pour service intensif seulement)

Essai de vibrations	6.18	IEC 61373:2010	A1	6	0
Essai de chocs	6.19	IEC 61373:2010	A2	6	0

Groupe 11 (Variante A des contacts à lames souples pour service intensif seulement)

Pouvoirs de fermeture et de coupure	6.26		A3	3	0
-------------------------------------	------	--	----	---	---

Groupe 12 (Variante A des contacts à lames souples pour service intensif seulement)

Essai de courant de court-circuit conditionnel	6.27		A4	3	0
Essai d'échauffement	6.29		A5	3	0

Groupe 13 (Variantes A et B des contacts à lames souples pour service intensif seulement)

Essai du pouvoir de fermeture en courant	6.30	Tableau 5	A6	6	0
Essai du pouvoir de coupure en courant	6.31	Tableau 5	A7	6	0

Groupe 14 (Variante B des contacts à lames souples pour service intensif seulement)

Essai de résistance aux ondes de choc	6.25		B1	3	0
---------------------------------------	------	--	----	---	---

Tableau 4 – Contrôle de conformité de la qualité (1 de 7)**Groupe A
Sous-groupe A0**

Pour tous les essais de ce sous-groupe: 100 % d'essai.

Essai n°	Essai	Conditions d'essai selon l'IEC 62246-1:2015	Exigences de performance
A0 – 1	Contrôle visuel et contrôle des dimensions (ND)	Paragraphe 6.4	Conformément au Tableau 4 Marquage tel que spécifié en 6.1
A0 – 2	Essais fonctionnels (ND)	Paragraphe 6.5, Procédure 1 Points d'application et nombre de bobines d'essai normalisées: Valeur de fonctionnement: Valeur de saturation: 150 % de la valeur de fonctionnement Valeur de relâchement: Échec de fermeture et échec d'ouverture de contact par surveillance d'un courant, typiquement 10 mA à 24 V max. en courant continu	Conformément au Tableau 5 Conformément au Tableau 4
A0 – 3	Résistance du circuit de contact (ND)	Paragraphe 6.7 Points d'application: bornes de contacts fermés Nombre de bobines d'essai normalisées: Tension de bobine d'essai: 150 % de la valeur de fonctionnement Tension d'essai max.: 6 V en courant continu ou 6 V en courant alternatif Courant d'essai max.: 1 A	Valeur initiale selon le Tableau 4 Conformément au Tableau 5
A0 – 4	Essai diélectrique (ND)	Paragraphe 6.8 Points d'application et tension d'essai: Durée d'essai: 1 min NOTE Un essai plus court à une tension plus élevée peut être énoncé dans la spécification particulière.	Conformément au Tableau 4 Courant de fuite maximal: 0,5 mA
A0 – 5	Temps de fonctionnement (ND)	Paragraphe 6.10 Points d'application et nombre de bobines d'essai normalisées: Tension de bobine d'essai: 150 % de la valeur de fonctionnement 1) temps de fonctionnement 2) temps de relâchement 3) temps de rebondissement en fonctionnement Échec de fermeture et échec d'ouverture de contact par surveillance d'un courant, typiquement 10 mA à 24 V max. en courant continu	Conformément au Tableau 5 Conformément au Tableau 4
A0 – 6	Étanchéité (ND)	Paragraphe 6.21 Points d'application et nombre de bobines d'essai normalisées: Durée de l'arc pendant l'essai dans le cas des contacts à lames souples pour service intensif: Tension de bobine d'essai: 150 % de la valeur de fonctionnement Tension d'essai: 100 V en courant continu à 110 V en courant continu Courant d'essai: 0,5 A à 0,55 A Nombre total de manœuvres exigées: 3 Essai de fuite pour contacts à lames souples et contact à lames souples à haute tension.	Conformément au Tableau 5 Conformément au Tableau 8

Tableau 4 (2 de 7)

Sous-groupe A4 (périodicité: "lot de contrôle" (IL) se réfère au volume de production dans un mois)

Essai n°	Essai	Conditions d'essai selon l'IEC 62246-1:2015	IL	NQA	Exigences de performance
1	Contrôle visuel et contrôle des dimensions (ND)	Paragraphe 6.4			Conformément au Tableau 4 Marquage tel que spécifié en 6.1
2	Essais fonctionnels (ND)	Paragraphe 6.5, Procédure 1 Points d'application et nombre de bobines d'essai normalisées: Valeur de fonctionnement: Valeur de saturation: 150 % de la valeur de fonctionnement Valeur de relâchement: Échec de fermeture et échec d'ouverture de contact par surveillance d'un courant, typiquement 10 mA à 24 V max. en courant continu			Conformément au Tableau 5 Conformément au Tableau 4
3	Résistance du circuit de contact (ND)	Paragraphe 6.7 Points d'application: bornes de contacts fermés Nombre de bobines d'essai normalisées: Tension de bobine d'essai: 150 % de la valeur de fonctionnement Tension d'essai max.: 6 V en courant continu ou 6 V en courant alternatif Courant d'essai max.: 1 A			Valeur initiale selon le Tableau 4 Conformément au Tableau 5
4	Essai diélectrique (ND)	Paragraphe 6.8 Points d'application et tension d'essai: Durée d'essai: 1 min NOTE Un essai plus court à une tension plus élevée peut être énoncé dans la spécification particulière.	S4	1,0	Conformément au Tableau 4 Courant de fuite maximal: 0,5 mA
5	Temps de fonctionnement (ND)	Paragraphe 6.10 Points d'application et nombre de bobines d'essai normalisées: Tension de bobine d'essai: 150 % de la valeur de fonctionnement 1) temps de fonctionnement: 2) temps de relâchement: 3) temps de rebondissement en fonctionnement: Échec de fermeture et échec d'ouverture de contact par surveillance d'un courant, typiquement 10 mA à 24 V max. en courant continu			Conformément au Tableau 5 Conformément au Tableau 4
6	Étanchéité (ND)	Paragraphe 6.21 Points d'application et nombre de bobines d'essai normalisées: Durée de l'arc pendant l'essai dans le cas des contacts à lames souples pour service intensif: Tension de bobine d'essai: 150 % de la valeur de fonctionnement Tension d'essai: 100 V en courant continu à 110 V en courant continu Courant d'essai: 0,5 A à 0,55 A Nombre total de manœuvres exigées: 3 Essai de fuite pour contacts à lames souples et contact à lames souples à vide haute tension			Conformément au Tableau 5 Conformément au Tableau 8

Tableau 4 (3 de 7)

Sous-groupe B1 (périodicité: "lot de contrôle" (IL) se réfère au volume de production dans un mois)

Essai n°	Essai	Conditions d'essai selon IEC 62246-1:2015	IL	NQA	Exigences de performance
7	Essai de fiabilité des contacts (D)	Paragraphe 6.28 Type de contacts d'essai et nombre de bobines d'essai normalisées: Tension de bobine d'essai: 150 % de la valeur de fonctionnement Suppression pour bobine: N/A Facteur d'utilisation: 50 % Conditions de charge de commutation: Conditions de surveillance Mesurages finaux: Essai 3 – résistance du circuit de contact Essai 2 – essais fonctionnels	S3	2,5	Conformément au Tableau 5 Conformément au Tableau 6 Conformément au Tableau 6 À chaque cycle au cours de l'essai Conformément au Tableau 4 Conformément au Tableau 4

Sous-groupe C1 (périodicité: un an)

Essai n°	Essai	Conditions d'essai selon l'IEC 62246-1:2015	Effectif d'échantillon	Nombre acceptable de défaillances	Exigences de performance
8	Robustesse des bornes (D)	<p>Paragraphe 6.12 (conformément à l'IEC 60068-2-21)</p> <p>Procédure: essai Ua1 – traction</p> <p>Mesurages finaux:</p> <p>Essai 1 – contrôle visuel</p> <p>Essai 2 – essais fonctionnels</p> <p>Essai 6 – étanchéité</p>	6	0	<p>Conformément au Tableau 4</p> <p>Ni rupture ni desserrage de bornes</p> <p>Aucune fissure ou autre détérioration</p> <p>Conformément au Tableau 4</p> <p>Conformément au Tableau 8</p>
9	Brasage (D)	<p>Paragraphe 6.13 (conformément à l'IEC 60068-2-20, essai Ta, méthode 1)</p> <p>Température: (250 ± 5) °C</p> <p>Durée: (2 ± 0,5) s</p> <p>Point d'application: 5 mm des joints verre-métal</p> <p>Paragraphe 6.13 (conformément à l'IEC 60068-2-20, essai Ta, méthode 2)</p> <p>Température: (350 ± 5) °C</p> <p>Durée: (3 ± 0,5) s</p> <p>Point d'application: 5 mm des joints verre-métal</p> <p>Mesurages finaux:</p> <p>Essai 1 – essai visuel</p> <p>Essai 2 – essais fonctionnels</p> <p>Essai 6 – essai d'étanchéité</p>	5	0	<p>La surface trempée doit être recouverte à 95 % d'un nouveau revêtement appliqué par brasage, les 5 % restants peuvent contenir des petites piqûres seulement</p> <p>Aucune fissure ou autre détérioration</p> <p>Conformément au Tableau 4</p> <p>Conformément au Tableau 8</p>

Tableau 4 (4 de 7)**Sous-groupe C1** (périodicité: un an)

Essai n°	Essai	Conditions d'essai selon l'IEC 62246-1:2015	Effectif d'échantillon	Nombre acceptable de défaillances	Exigences de performance
10	Variation rapide de la température (D)	<p>Paragraphe 6.16 (conformément à l'IEC 60068-2-14)</p> <p>Basse température:</p> <p>– 50 °C pour les contacts à lames souples pour service intensif</p> <p>– 40 °C pour les contacts à lames souples et le contact à lames souples à vide et haute tension</p> <p>Température:</p> <p>100 °C pour les contacts à lames souples pour service intensif</p> <p>125 °C pour les contacts à lames souples et le contact à lames souples à vide et haute tension</p> <p>Durée d'exposition:</p> <p>20 min pour les contacts à lames souples pour service intensif</p> <p>30 min pour les contacts à lames souples et le contact à lames souples à vide et haute tension</p> <p>Temps de transition:</p> <p>1 min pour les contacts à lames souples pour service intensif</p> <p>15 min pour les contacts à lames souples et le contact à lames souples à haute tension</p> <p>Nombre de cycles:</p> <p>10 pour les contacts à lames souples pour service intensif</p> <p>5 pour les contacts à lames souples et le contact à lames souples à vide et haute tension</p> <p>Mesurages finaux:</p> <p>Essai 4 – essai diélectrique</p> <p>Essai 2 – essais fonctionnels</p> <p>Essai 3 – résistance du circuit de contact</p> <p>Essai 1 – contrôle visuel</p> <p>Essai 6 – essai d'étanchéité</p>	6	0	<p>Conformément au Tableau 4</p> <p>Aucune fissure ou autre détérioration</p> <p>Conformément au Tableau 8</p> <p>Conformément au Tableau 4</p> <p>Conformément au Tableau 8</p>

Tableau 4 (5 de 7)

Sous-groupe C1 (périodicité: un an, le fabricant spécifie les intervalles relatifs à l'Essai n° 12)

Essai n°	Essai	Conditions d'essai selon l'IEC 62246-1:2015	Effectif d'échantillon	Nombre acceptable de défaillances	Exigences de performance
11	Vibrations (D) Fonctionnel	<p>Paragraphe 6.18</p> <p>Type de contacts d'essai et nombre de bobines d'essai normalisées: conformément au Tableau 5</p> <p>Tension de bobine d'essai: 150 % de la valeur de fonctionnement</p> <p>Axe de montage:</p> <p>Conditions de vibration: Application: trois directions</p> <p>Nombre de balayages par direction: 3</p> <p>Vitesse de balayage: 1 octave/min ± 10 %</p> <p>Durée totale: approx. 3 × 10 min</p> <p>Tension et courant de contact d'essai: 24 V max. en courant continu, 10 mA max.</p> <p>Mesurages finaux: Essai 1 – contrôle visuel</p> <p>Essai 2 – essais fonctionnels</p> <p>Essai 6 – étanchéité</p>	6	0	<p>Aucune ouverture de circuit de contact fermé avec condition d'alimentation en énergie ou fermeture de circuit de contact ouvert ne doit dépasser 10 µs</p> <p>Le contact mobile doit être placé dans la direction transversale</p> <p>Conformément au Tableau 8</p> <p>Aucune fissure ou autre détérioration</p> <p>Conformément au Tableau 4</p> <p>Conformément au Tableau 8</p>
12	Endurance électrique (D)	<p>Paragraphe 6.22</p> <p>Type de contacts d'essai et nombre de bobines d'essai normalisées:</p> <p>Tension de bobine d'essai: 150 % de la valeur de fonctionnement</p> <p>Suppression pour bobine: N/A</p> <p>Facteur d'utilisation: 50 %</p> <p>Conditions de charge de commutation:</p> <p>Conditions de surveillance</p> <p>Mesurages finaux: Essai 3 – résistance du circuit de contact</p> <p>Essai 2 – essais fonctionnels</p> <p>Essai 4 – essai diélectrique</p>	5	5	<p>Estimation des valeurs de B_{10}</p> <p>Conformément au Tableau 5</p> <p>Conformément aux Tableaux 5 et 6</p> <p>Conformément aux Tableaux 5 et 6</p> <p>À chaque cycle au cours de l'essai</p> <p>Conformément au Tableau 4</p> <p>Conformément au Tableau 4</p> <p>Conformément à 5.1.4</p>

Tableau 4 (6 de 7)**Sous-groupe C4** (périodicité: au moins une fois tous les deux ans)

Essai n°	Essai	Conditions d'essai selon l'IEC 62246-1:2015	Effectif d'échantillon	Nombre acceptable de défaillances	Exigences de performance
13	Chocs (D) Fonctionnel	<p>Paragraphe 6.19</p> <p>Type de contacts d'essai et nombre de bobines d'essai normalisées: conformément au Tableau 5</p> <p>Tension de bobine d'essai: 150 % de la valeur de fonctionnement</p> <p>Axe de montage:</p> <p>Conditions de chocs:</p> <p>Application: trois directions</p> <p>Nombre de chocs: 18 (trois positifs et trois négatifs dans chacun des trois plans orthogonaux)</p> <p>Durée: 11 ms</p> <p>Tension et courant de contact d'essai: 24 V max. en courant continu, 10 mA max.</p> <p>Mesurages finaux:</p> <p>Essai 1 – contrôle visuel</p> <p>Essai 2 – essais fonctionnels</p> <p>Essai 6 – essai d'étanchéité</p>	6	0	<p>Aucune ouverture de circuit de contact fermé avec condition d'alimentation en énergie ou fermeture de circuit de contact ouvert ne doit dépasser 10 µs</p> <p>Le contact mobile doit être placé dans la direction transversale</p> <p>Conformément au Tableau 8</p> <p>Aucune fissure ou autre détérioration</p> <p>Conformément au Tableau 4</p> <p>Conformément au Tableau 8</p>
14	Endurance mécanique (D)	<p>Paragraphe 6.23</p> <p>Type de contacts d'essai et nombre de bobines d'essai normalisées:</p> <p>Tension de bobine d'essai: 150 % de la valeur de fonctionnement</p> <p>Suppression pour bobine: N/A</p> <p>Facteur d'utilisation: 50 %</p> <p>Nombre de cycles par s: 50 à 60</p> <p>Mesurages périodiques: 1×10⁶; 3×10⁶; 5×10⁶; 7×10⁶; 1×10⁷; 3×10⁷; 5×10⁷; 7×10⁷; et 10⁸</p> <p>Limites pour échec de fermeture:</p> <p>Limites pour échec de coupure:</p> <p>Essai 3 – résistance du circuit de contact</p> <p>Essai 2 – essais fonctionnels</p>	20	1	<p>Il ne doit y avoir aucune pièce brisée</p> <p>Conformément au Tableau 5</p> <p>±20 % de variation de la valeur de fonctionnement pour les contacts à lames souples pour service intensif</p> <p>±15 % de variation de la valeur de fonctionnement pour les contacts à lames souples</p> <p>50 % de variation de la valeur de relâchement pour les contacts à lames souples pour service intensif</p> <p>30 % de variation de la valeur de relâchement pour les contacts à lames souples</p> <p>Conformément au Tableau 4</p> <p>Conformément au Tableau 4</p>

Tableau 4 (7 de 7)

Sous-groupe C4 (périodicité: au moins une fois tous les deux ans)

Essai n°	Essai	Conditions d'essai selon l'IEC 62246-1:2015	Effectif d'échantillon	Nombre acceptable de défaillances	Exigences de performance
15	Essai du pouvoir de fermeture en courant (D) Contacts à lames souples pour service intensif seulement	Paragraphe 6.30 Type de contacts d'essai et nombre de bobines d'essai normalisées: Tension de bobine d'essai: 150 % de la valeur de fonctionnement Suppression pour bobine: N/A Conditions de charge d'établissement: Conditions de surveillance temps de surveillance: $t_1 = 400$ ms, $\tau_1 = 50$ ms Essai 3 – résistance du circuit de contact Si applicable: Essai 2 – essais fonctionnels Essai 4 – essai diélectrique	6	0	Conformément au Tableau 5 Conformément au Tableau 6 À chaque cycle au cours de l'essai Conformément au Tableau 4 Conformément au Tableau 4 Conformément au Tableau 4
16	Essai du pouvoir de coupure en courant (D) Contacts à lames souples pour service intensif seulement	Paragraphe 6.31 Type de contacts d'essai et nombre de bobines d'essai normalisées: Tension de bobine d'essai: 150 % de la valeur de fonctionnement Suppression pour bobine: N/A Conditions de charge de coupure: Conditions de surveillance temps de surveillance: $t_2 = 400$ ms, $\tau_2 = 50$ ms Essai 3 – résistance du circuit de contact Si applicable: Essai 2 – essais fonctionnels Essai 4 – essai diélectrique	6	0	Conformément au Tableau 5 Conformément au Tableau 6 À chaque cycle au cours de l'essai Conformément au Tableau 4 Conformément au Tableau 4 Conformément au Tableau 4
17	Essai de résistance aux ondes de choc (D) Variante B des contacts à lames souples pour service intensif seulement	Paragraphe 6.25 Tension d'essai: 3 000 V Forme d'onde de la tension d'essai: $1,2 \mu\text{s} \times 50 \mu\text{s}$ Nombre d'impulsions: 6 impulsions (trois positives et trois négatives) Mesurages finaux: Essai 1 – essai visuel Essai 2 – essais fonctionnels Essai 4 – essai diélectrique	3	0	Conformément au Tableau 6 Aucune fissure ou autre détérioration Conformément au Tableau 4 Conformément au Tableau 4

5 Valeurs caractéristiques des contacts à lames souples

5.1 Données du contact

5.1.1 Critères de défaillance

Les critères de défaillance sont énoncés dans les Tableaux 5 à 7 pour: limites pour échec de fermeture d'un contact fermé, limites pour échec de coupure d'un contact ouvert. En outre, un défaut de contact en raison d'un court-circuit entre n'importe quels contacts d'ouverture et de fermeture constitue un défaut (voir 5.2.2). Il est nécessaire d'enregistrer le mode de défaillance.

Tableau 5 – Variante A des contacts à lames souples (1 de 2)

Types de contacts à lames souples		Contacts à lames souples (NO)				Contact à lames souples à vide et haute tension	Contacts à lames souples (NC)
Courant limite de service continu (A)		0,3	0,4	1,0	2,0	2,5	0,5
Fiabilité du contact	Charge de commutation	5 V en courant continu, 0,1 mA (charge résistive)					
	Limites pour échec de fermeture	Plus de 0,25 V en courant continu entre contacts					
	Limites pour échec de coupure	Moins de 4,5 V en courant continu entre contacts					
	Nombre de cycles de commutation ^a	Min. 10 000 000					
	Fréquence des cycles de commutation	Pas plus de 100 par s				50 par seconde	
	Temps de surveillance	$t_1 = 2 \text{ ms}$, $\tau_1 = 0,1 \text{ ms}$, $t_2 = 2 \text{ ms}$, $\tau_2 = 0,2 \text{ ms}$				$t_1 = 5 \text{ ms}$, $\tau_1 = 0,1 \text{ ms}$, $t_2 = 5 \text{ ms}$, $\tau_2 = 0,1 \text{ ms}$	

Tableau 5 (2 de 2)

Types de contacts à lames souples		Contacts à lames souples (NO)				Contact à lames souples à vide et haute tension	Contacts à lames souples (NC)	
Courant limite de service continu (A)		0,3	1,0	0,4	1,0	2,0	2,5	0,5
Endurance électrique	Charge de fermeture et de coupure	5 V en courant continu, 5 mA	12 V en courant continu, 10 mA	5 V en courant continu, 10 mA		12 V en courant continu, 3,4 W	350 V en courant continu, 1 mA	5 V en courant continu, 5 mA
	Limites pour l'échec de fermeture	Plus de 0,25 V en courant continu entre contacts	Plus de 0,6 V en courant continu entre contacts	Plus de 25 Ω entre contacts		Plus de 2 Ω entre contacts	Plus de 17,5 V en courant continu entre contacts	Plus de 0,25 V en courant continu entre contacts
	Limites pour échec de coupure	Moins de 0,25 V en courant continu entre contacts	Moins de 11,4 V en courant continu entre contacts	Moins de 9,52 Ω entre contacts		Moins de 1 Ω entre contacts	Moins de 332,5 V en courant continu entre contacts	Moins de 4,75 V en courant continu entre contacts
	Fréquence des cycles de commutation	Pas plus de 100 par seconde				Pas plus de 30 par seconde	Pas plus de 50 par seconde	
	Temps de surveillance	$t_1 = 2 \text{ ms}, \tau_1 = 0,1 \text{ ms}, t_2 = 2 \text{ ms}, \tau_2 = 0,2 \text{ ms}$		$t_1 = 5 \text{ ms}, \tau_1 = 0,1 \text{ ms}, t_2 = 2 \text{ ms}, \tau_2 = 0,2 \text{ ms}$		$t_1 = 0,5 \text{ s}, \tau_1 = X,X \text{ ms}, t_2 = 2 \text{ s}, \tau_2 = X,X \text{ ms}$	$t_1 = 5 \text{ ms}, \tau_1 = 0,1 \text{ ms}, t_2 = 2 \text{ ms}, \tau_2 = 0,2 \text{ ms}$	
	Espérance de vie ^{a,b}	10 000 000 cycles de commutation		1 000 000 cycles de commutation	50 000 000 cycles de commutation	5 0 000 cycles de commutation	10 000 000 cycles de commutation	

Tableau 6 – Variante A des contacts à lames souples pour service intensif (1 de 2)

Types de contact à lames souples		Contacts à lames souples pour service intensif		
Courant limite de service continu (A)		3,0	5,0	
Fiabilité du Contact	Charge de commutation	24 V en courant continu, 1 mA (charge résistive)		
	Limites pour l'échec de fermeture	Plus de 1,2 V en courant continu entre contacts		
	Limites pour échec de coupure	Moins de 22,8 V en courant continu entre contacts		
	Nombre de cycles de commutation ^a	Min. 5 000 000		
	Fréquence des cycles de commutation	10 par seconde max.		
	Temps de surveillance	$t_1 = 30$ ms, $\tau_1 = 20$ ms, $t_2 = 30$ ms, $\tau_2 = 20$ ms		
Endurance électrique	Charge de fermeture et de coupure	24 V en courant continu, 37 mA L/R = 7 ms		
	Limites pour l'échec de fermeture	Plus de 1,2 V en courant continu entre contacts		
	Limites pour échec de coupure	Moins de 22,8 V en courant continu entre contacts		
	Fréquence des cycles de commutation	10 par seconde max.		
	Temps de surveillance	$t_1 = 30$ ms, $\tau_1 = 20$ ms, $t_2 = 30$ ms, $\tau_2 = 20$ ms		
	Espérance de vie ^{a,b}	15 000 000 cycles de commutation	30 000 000 cycles de commutation	
Endurance électrique (Charge inductive alternative (bobine-contacteur, électrovanne))	Charge de fermeture et de coupure	240 V en courant alternatif, 5 A fermeture ($\cos \varphi = 0,7$) et 0,5 A coupure ($\cos \varphi = 0,4$)	240 V en courant alternatif, 10 A fermeture ($\cos \varphi = 0,7$) et 1,0 A coupure ($\cos \varphi = 0,4$)	
	Limites pour l'échec de fermeture	Moins de 120 V en courant alternatif entre contacts (Fonction de relais de surveillance relié en parallèle à la charge de commutation)		
	Limites pour échec de coupure	Plus de 72 V en courant alternatif entre contacts (Fonction de relais de surveillance relié en parallèle à la charge de commutation)		
	Fréquence des cycles de commutation	1 par seconde max.		
	Temps de surveillance	$t_1 = 400$ ms, $\tau_1 = 50$ ms, $t_2 = 400$ ms, $\tau_2 = 50$ ms		
	Espérance de vie ^{a,b}	1 000 000 cycles de commutation	800 000 cycles de commutation	
Endurance électrique (Charge inductive en courant continu (bobine-contacteur, électrovanne))	Charge de fermeture et de coupure	115 V, 0,3 A (L/R = 40 ms)	115 V, 0,5 A (L/R = 100 ms)	
	Limites pour l'échec de fermeture	Moins de 55 V en courant continu entre contacts (Fonction de relais de surveillance relié en parallèle à la charge de commutation)		
	Limites pour échec de coupure	Plus de 33 V en courant continu entre contacts (Fonction de relais de surveillance relié en parallèle à la charge de commutation)		
	Fréquence des cycles de commutation	1/s max.		
	Temps de surveillance	$t_1 = 400$ ms, $\tau_1 = 50$ ms, $t_2 = 400$ ms, $\tau_2 = 50$ ms		
	Espérance de vie ^{a,b}	300 000 cycles de commutation		

Tableau 6 (2 de 2)

Types de contact à lames souples		Contacts à lames souples pour service intensif	
Courant limite de service continu (A)		3,0	5,0
Pouvoirs de fermeture et de coupure	Charge inductive alternative (bobine-contacteur, électrovanne)	120 V en courant alternatif, 1,5 A; 240 V en courant alternatif, 0,75 A ($\cos \varphi = 0,3$)	120 V en courant alternatif, 1,5 A; 240 V en courant alternatif, 0,75 A; 600 V en courant alternatif, 0,3 A ($\cos \varphi = 0,3$)
	Charge inductive en courant continu (bobine-contacteur, électrovanne ^a)	120 V en courant continu, 0,55 A L/R = 40 ms	120 V en courant continu, 0,55 A; 240 V en courant continu, 0,27 A L/R = 100 ms
	Nombre total de cycles	6 050	
Pouvoir de fermeture en courant (charge inductive alternative)	Charge de fermeture ($\cos \varphi = 0,3$)	240 V en courant alternatif, 15 A max.	240 V en courant alternatif, 30 A max.
	Nombre de cycles de fermeture	Min. 10	
	Fréquence des cycles de commutation	6 par minute	
	Nombre de cycles de coupure	Min. 10	
Pouvoir de coupure en courant (charge inductive alternative)	Charge de coupure ($\cos \varphi = 0,3$)	240 V en courant alternatif, 15 A max.	240 V en courant alternatif, 30 A max.
	Nombre de cycles de coupure	Min. 10	
	Fréquence des cycles de commutation	6 par minute	
Pouvoir de coupure en courant (charge inductive en courant continu)	Charge de coupure	120 V en courant continu, 0,55 A max. L/R = 40 ms	240 V en courant continu, 0,27 A max. L/R = 100 ms
	Nombre de cycles de coupure ^a	Min. 10	
	Fréquence des cycles de commutation	6 par minute	
^a Lors de l'utilisation d'un circuit à courant continu, le contact fixe doit être connecté à l'anode. ^b Sur la base des valeurs de B_{10} .			

Tableau 7 – Variante B des contacts à lames souples pour service intensif

Types de contact à lames souples		Contacts à lames souples pour service intensif	
Courant limite de service continu (A)		3,0	5,0
Fiabilité du contact	Charge de commutation	24 V en courant continu, 1 mA (charge résistive)	1 V en courant continu, 1 mA (charge résistive)
	Limites pour l'échec de fermeture	Plus de 1,2 V en courant continu entre contacts	Plus de 0,05 V en courant continu entre contacts
	Limites pour échec de coupure	Moins de 22,8 V en courant continu entre contacts	Moins de 0,95 V en courant continu entre contacts
	Nombre de cycles de commutation ^a	Min. 5 000 000	
	Fréquence des commutations	Pas plus de 10 par seconde	
	Temps de surveillance	$t_1 = 30 \text{ ms}$, $\tau_1 = 20 \text{ ms}$, $t_2 = 30 \text{ ms}$, $\tau_2 = 20 \text{ ms}$	
Endurance électrique	Charge de fermeture et de coupure	24 V en courant continu. 37 mA L/R = 7 ms	
	Limites pour l'échec de fermeture	Plus de 1,2 V en courant continu entre contacts	
	Limites pour échec de coupure	Moins de 22,8 V en courant continu entre contacts	
	Fréquence des commutations	Pas plus de 10 par seconde	
	Temps de surveillance	$t_1 = 30 \text{ ms}$, $\tau_1 = 20 \text{ ms}$, $t_2 = 30 \text{ ms}$, $\tau_2 = 20 \text{ ms}$	
	Espérance de vie ^{a,b}	10 000 000 cycles de commutation	10 000 000 cycles de commutation
Endurance électrique (Charge inductive en courant continu (bobine-contacteur, électrovanne))	Charge de fermeture et de coupure	115 V, 0,3 A (L/R = 40 ms)	115 V, 0,5 A (L/R = 40 ms)
	Limites pour l'échec de fermeture	Moins de 55 V en courant continu entre contacts (Fonction de relais de surveillance reliée en parallèle à la charge de commutation)	
	Limites pour échec de coupure	Plus de 33 V en courant continu entre contacts (Fonction de relais de surveillance reliée en parallèle à la charge de commutation)	
	Fréquence des commutations	Pas plus de 1 par seconde	
	Temps de surveillance	$t_1 = 400 \text{ ms}$, $\tau_1 = 50 \text{ ms}$, $t_2 = 400 \text{ ms}$, $\tau_2 = 50 \text{ ms}$	
	Espérance de vie ^{a,b}	100 000 cycles de commutation	1 000 000 cycles de commutation
Pouvoir de fermeture en courant (charge inductive en courant continu)	Charge de fermeture (L/R = 5 ms)	115 V en courant continu, 15 A max.	220 V en courant continu, 20 A max.
	Temps de transport	0,5 s	
	Nombre de cycles de fermeture	Pas moins de 10 000	
	Fréquence des commutations	6 par minute	
Pouvoir de coupure en courant (charge inductive en courant continu)	Charge de coupure (L/R = 40 ms)	110 V en courant continu, 0,5 A	220 V en courant continu, 0,15 A max.
	Nombre de cycles de coupure ^a	Pas moins de 100 000	
	Fréquence des commutations	6/min	
^a Lors de l'utilisation d'un circuit à courant continu, le contact fixe doit être connecté à l'anode.			
^b Sur la base des valeurs de B_{10} .			

5.1.2 Résistance de circuit de contact statique

500 mΩ max. à 1 A	valeur initiale à la tension assignée d'essai pour les contacts à lames souples pour service intensif,
100 mΩ max.	valeur initiale à la tension assignée d'essai pour les contacts à lames souples,
1 Ω max. à 1 A	après les essais de fiabilité, d'endurance électrique, d'endurance mécanique et d'environnement réalisés sur le contact à une tension de bobine d'essai de 150 % de la valeur de fonctionnement,
1,2 kΩ max. à 1 mA	au cours des essais de fiabilité, d'endurance électrique, d'endurance mécanique et d'environnement réalisés sur le contact à une tension de bobine d'essai de 150 % de la valeur de fonctionnement.

5.1.3 Endurance mécanique

Minimum de 10^8 cycles de commutation (10^7 cycles de commutation pour la Variante B des contacts à lames souples pour service intensif).

5.1.4 Essai diélectrique final

Le contact à lames souples doit subir avec succès un essai diélectrique juste après l'essai d'endurance électrique. Un courant de fuite de 3 mA au maximum est admis.

5.2 Données d'environnement

Les contacts à lames souples doivent au moins supporter les contraintes environnementales spécifiées dans le Tableau 8.

Tableau 8 – Données d'environnement pour contacts à lames souples

Types de contact à lames souples		Contacts à lames souples	Contact à lames souples à vide et haute tension	Contacts à lames souples pour service intensif
Fonctionnement du dispositif de protection contre les courts-circuits (non applicable à la Variante B)		N/A		Min. $20 A^2 s$
Robustesse des bornes	Force	19,6 N		98 N
Brasage	Soudabilité	235 °C, 2 s		
	Résistance	350 °C, 3 s		
Étanchéité	Constante de temps de fuite ^a	2 × 10 ⁴ s ou 2 × 10 ⁶ s		N/A
	Durée d'arc	N/A		(A) Moins de 60 ms (B) Moins de 100 ms
NOTE 1 (A) est de type 3 A.				
NOTE 2 (B) est de type 5 A.				
^a Se reporter à Qk de l'IEC 60068-2-17.				

5.3 Fiabilité – Données de taux de défaillance

La valeur énoncée dans le Tableau 9 pour la fiabilité du contact doit être vérifiée par des essais de type. Au cours de la fabrication, la fiabilité du contact doit être évaluée par des essais lot par lot selon le Tableau 1.

Tableau 9 – Données de fiabilité pour contacts à lames souples

Types de contact à lames souples		Contact à lames souples à vide et haute tension	Contacts à lames souples pour service intensif	
Fiabilité du contact	Valeurs assignées minimales de la puissance opérationnelle	5 V en courant continu, 0,1 mA	24 V en courant continu, 1 mA	24 V en courant continu, 1 mA (1 V en courant continu, 1 mA pour Variante B)
	Taux de défaillance ^a	Moins de 5×10^{-9}		
^a La valeur du taux de défaillance est basée sur un niveau de confiance de 60 %.				

6 Marquage et documentation

6.1 Généralités

Les contacts à lames souples et leur emballage fournis conformément aux spécifications particulières couvertes par la présente spécification particulière doivent porter les marquages suivants.

6.2 Marquage du contact à lames souples

Le marquage doit être durable et lisible et comprendre au minimum les éléments suivants, sauf indication contraire dans la spécification particulière.

- Type codé du contact à lames souples.
- Date codée de fabrication, par exemple: année/mois/semaine.
- AT spécial codé, si nécessaire selon 6.4.

6.3 Marquage de l'emballage

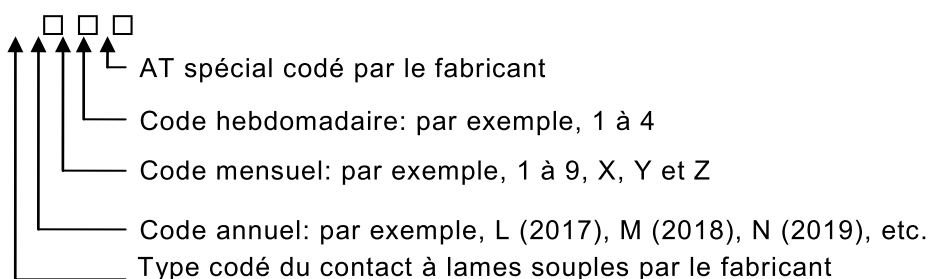
Le marquage doit être durable et lisible et comprendre au minimum les éléments suivants.

- Nom, logo ou marque commerciale du fabricant.
- Type de contact à lames souples et code de variante.
- Code d'identification de lot du fabricant.
- Référence de la spécification particulière.
- Quantité.

6.4 Date codée de fabrication

Le système de marquage doit utiliser cinq chiffres comme dans l'exemple ci-dessous, sauf indication contraire dans la spécification particulière.

EXEMPLE



7 Élaboration de la spécification particulière-cadre et de la spécification particulière

Les spécifications particulières-cadres doivent être conformes aux programmes d'essais donnés au Tableau 1 et aux explications associées.

Les exemples de spécification particulière-cadre et de spécification particulière donnés à l'Annexe A doivent être utilisés pour l'élaboration de la spécification particulière-cadre et de la spécification particulière. Les valeurs caractéristiques du contact à lames souples doivent être incluses comme indiqué à l'Annexe B. Les valeurs doivent être ajustées par le fabricant, le cas échéant.

Les spécifications particulières-cadres doivent fournir les informations suivantes ou demander leur intégration dans la spécification particulière:

- a) Identification de la spécification particulière.
- b) Identification du contact à lames et des informations relatives à ses applications. L'identification doit être assurée par des propriétés telles que la taille, la configuration du contact, la polarisation ou non, ou toute autre caractéristique exigée pour l'identification.
- c) Dessins d'encombrement du contact à lames souples avec les principales dimensions. Des variantes (relatives au verre ou aux bornes, par exemple) peuvent être données dans une annexe à la spécification particulière.
- d) Données de référence du contact à lames souples.
 - 1) Un nombre limité de valeurs est exigé sur la page de couverture pour décrire les performances globales du contact à lames souples.
 - 2) Des informations exhaustives doivent être ajoutées sur l'une des pages suivantes. De préférence, il convient que les valeurs assignées soient celles présentées ici. Lorsque les essais font référence aux valeurs assignées, cela doit être précisé dans chaque essai. Lorsque les essais doivent être effectués avec d'autres valeurs, elles doivent être indiquées et clairement différenciées des valeurs assignées.
- e) Références normatives

Il doit être fait référence à la série IEC 62246. Si une référence à d'autres documents s'avère nécessaire, lesdits documents doivent être répertoriés avec leur titre complet, l'année d'édition et, si elle n'est pas connue, la source auprès de laquelle il est possible de les obtenir.
- f) Niveau d'évaluation

Le Tableau 1 contient un programme d'essai. Si des essais supplémentaires ne figurant pas dans le Tableau 1 ont été ajoutés, ils doivent être indiqués.
- g) Périodicité des essais.
- h) Formation des lots de contrôle, si elle est prévisible.
- i) Ordre des essais, si différent de celui indiqué en 4.2.
- j) Conditions générales d'essai, si différentes de celles indiquées en 4.9.
- k) Programme d'essai d'homologation.
- l) Programme d'essai de conformité de la qualité.

Pour chaque groupe d'essais, les mesurages finaux et les exigences postérieures aux essais spécifiés dans chacun d'eux peuvent être résumés et énoncés à la fin du sous-groupe.

Il doit être indiqué que les échantillons soumis à des essais destructifs (D) ne doivent pas être acceptés pour la livraison.

Si l'application de l'approche SPC ou ppm est exigée, il convient que cette exigence soit indiquée par le fabricant.
- m) Spécification des numéros d'IL (groupes A et B) et effectifs d'échantillons (groupe C).

- n) Spécification des numéros de NQA (groupes A et B) et des nombres acceptables d'éléments défectueux (groupe C).
- o) Marquage de l'emballage et/ou des contacts à lames souples au-delà de ceux figurant dans le présent document, le cas échéant.
- p) Informations de commande

Les informations supplémentaires (courbes et tracés, par exemple) peuvent être données dans une annexe à la spécification particulière. Il n'est pas nécessaire de vérifier ces informations pour les besoins de l'essai.

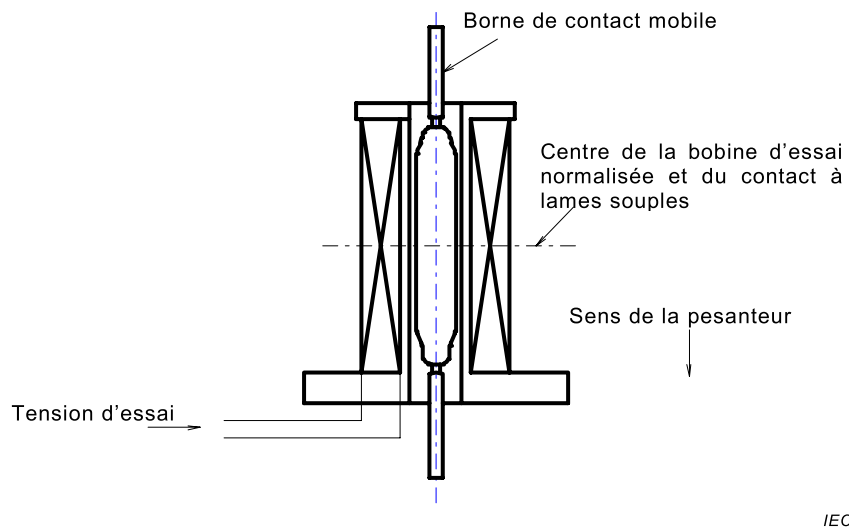
Lors de la préparation des spécifications particulières-cadres ou des spécifications particulières, il convient de se conformer aux procédures suivantes:

- sélectionner les essais à effectuer dans le Tableau 1;
- le cas échéant, ajouter d'autres essais nécessaires, exigés ou non spécifiés dans l'IEC 62246-1.

Annexe A (normative)

Montage dans une bobine normalisée

Le sens et la position du contact à lames souples qui doivent être utilisés pour les essais sont donnés à la Figure A.1.



IEC

Figure A.1 – Sens et position du contact dans une bobine normalisée

Annexe B (normative)

Variantes

Les contacts à lames souples couverts par le présent document sont classés en deux variantes différentes comme suit:

Variante A

Cette variante est caractérisée par des exigences particulières relatives à l'endurance mécanique.

Variante B

Cette variante est caractérisée par des exigences particulières relatives au potentiel du diélectrique, à la tension de choc et à l'endurance électrique.

NOTE Des applications types pour ces variantes sont indiquées à l'Annexe C pour information.

Annexe C (informative)

Applications types

Variante A

Les contacts à lames souples de la Variante A sont des éléments de commutation extrêmement fiables sur une vaste plage de charges. Ils sont adaptés à une grande variété d'applications industrielles, notamment lorsqu'ils sont soumis à des conditions d'environnement rudes (poussière, huile, eau, vibrations, chocs mécaniques et hautes et basses températures) et ont de forts pouvoirs de fermeture et de coupure.

Les domaines d'application types sont:

- a) Les équipements de commande d'élévateur, où les contacts à lames souples peuvent être utilisés comme éléments de contact des commutateurs magnétiques de proximité.
Pour les ascenseurs, les escaliers mécaniques et les trottoirs roulants, se référer aux normes nationales et, le cas échéant, à l'ISO 22201 (toutes les parties) lorsqu'elle est utilisée dans ces applications.
- b) Les équipements de commande et de signalisation ferroviaire et les dispositifs similaires, où les contacts à lames souples peuvent être utilisés comme éléments de contact des relais de commande, interrupteurs de verrouillage de portes, interrupteurs de position et boutons-poussoirs.
- c) Les équipements de sécurité de machines, où les contacts à lames souples peuvent être utilisés par exemple comme éléments de contact d'interrupteurs de verrouillage de portes dans des environnements rudes.
- d) Les équipements dans des atmosphères potentiellement dangereuses, où les contacts à lames souples utilisés comme éléments de contact de relais de commande, d'interrupteurs de fin de course, de boutons-poussoirs et d'interrupteurs de position, etc. répondent aux besoins en matériels antidéflagrants.
- e) L'automobile, où les contacts à lames souples peuvent être utilisés comme capteurs de niveau de liquide pour le combustible et l'huile moteur, pour la détection de position de siège, comme interrupteurs de feux d'arrêt, etc.
- f) Les appareils domestiques et industriels, où les contacts à lames souples peuvent être utilisés pour la détection d'ouverture/fermeture de portes de réfrigérateur, comme capteurs thermiques de cuiseurs à riz, comme capteurs de bouteille, etc.
- g) Les équipements de santé et de loisirs, où les contacts à lames souples peuvent être utilisés comme compteurs de pas des podomètres, comme commutateurs de machines d'exercice, etc.
- h) Les équipements médicaux, où les contacts à lames souples peuvent être utilisés dans des dispositifs portatifs et implantables, des aides électriques à la locomotion, etc.
- i) Les équipements de sécurité et de sûreté, où les contacts à lames souples peuvent être utilisés par exemple comme éléments de contact des portes coupe-feu et de sécurité dans les bâtiments publics.

Variante B

Les contacts à lames souples pour service intensif de Variante B peuvent être utilisés pour produire, transporter et interrompre, avec une fiabilité élevée, des courants élevés à grande vitesse. Ils manifestent également une résistance renforcée contre les tensions des diélectriques et les tensions de choc.

Par conséquent, leur principale application réside dans les relais de mesure et les équipements de protection, notamment comme partie intégrante de réseaux à haute tension.

Annexe D (informative)

Exemples de spécification particulière-cadre et de spécification particulière

D.1 Légende relative à la page de couverture

Les numéros entre crochets de la page de couverture des exemples de spécifications particulières-cadres donnés à l'Article D.2 correspondent aux indications suivantes, qu'il convient de donner de D.2.1 à D.2.12.

Identification de la spécification particulière

- 1) Nom du fabricant, marque commerciale ou, le cas échéant, l'organisme auprès duquel la spécification particulière est disponible.
- 2) Numéro d'identification de la spécification particulière.
- 3) Numéro et année de publication de la norme IEC relative aux modes opératoires d'essai et de mesure des relais électromécaniques élémentaires de tout-ou-rien et/ou la spécification intermédiaire. Référence nationale également, si elle est différente.
- 4) Toutes les informations supplémentaires, le cas échéant, avec tous les numéros d'amendement.

Identification du contact à lames souples

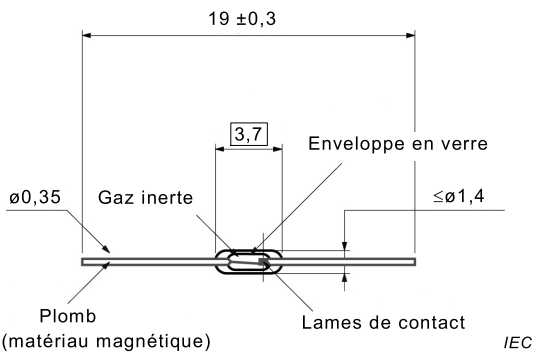
- 5) Type: variante A ou B; contact normalement ouvert, contact normalement fermé ou contact à deux directions; contact à lames souples, contact à lames souples à vide et haute tension ou contact à lames souples pour service intensif.
- 6) Construction: dimensions (à double rangée de connexions, par exemple), longueur des bornes et du verre, type de contact à lames souples.
- 7) Dessin d'encombrement contenant les dimensions principales, importantes pour l'interchangeabilité et/ou une référence aux documents nationaux ou internationaux pertinents. Ce dessin peut également être donné dans une annexe à la spécification particulière, mais il convient que (7) contienne toujours une illustration de l'aspect extérieur général du composant.
- 8) Domaine d'application type.
- 9) Données de contact de type fonctionnel, résistance de contact, temps de fonctionnement, résistance d'isolement, etc.
- 10) Valeurs de B10 pour des charges de commutation maximales, faibles et minimales (tension, courant et puissance de contact assignés disponibles) conformément à l'IEC 61810-2-1: 2017.
- 11) Catégories climatiques des composants conformément à l'IEC 60068-1:2013.
- 12) Sévérités environnementales des composants conformément à l'Annexe A de l'IEC 60068-2-6:2007 et à l'IEC 60068-2-27:2008.
- 13) Nombre de bobines d'essai normalisées conformément à l'Annexe A de l'IEC 62246-1:2015, sauf indication contraire dans la spécification particulière.

D.2 Exemples de spécifications particulières-cadres

D.2.1 Spécification particulière-cadre (1)

(1)	(2)																																										
Composants électroniques soumis au régime d'assurance qualité conformément à IEC 62246-1: 2015 IEC 62246-1-1: 2018 (3)	(4)																																										
Spécification particulière pour l'utilisation des contacts à lames souples soumis au régime d'assurance qualité, Courant limite de service continu de 0,3 A																																											
Type: De type unipolaire et unidirectionnel, contacts normalement ouverts	(5)																																										
Construction: bornes, diamètre 0,3 mm pour le brasage verre hermétiquement scellé, diamètre de 1,8 mm max. longueur de borne, type de 35,8 mm.	(6)																																										
Dessin d'encombrement (7)	Application: (8)																																										
<p>Dimensions en millimètres</p> <p>Masse nominale: Configuration du contact: 1 NO Finition des bornes: Étamage</p>	<p>Le contact à lames souples conforme au présent document est fourni pour la manœuvre, dans des applications industrielles, des équipements médicaux^a, des appareils de mesure, des équipements informatiques et d'autres applications.</p> <p>^a Aide à l'audition, endoscope capsulaire</p>																																										
Données de contact (9)	(10)																																										
<p>Valeur de relâchement (AT): 5 min. Valeur de fonctionnement (AT): 10 à 50 Résistance de contact max. (mΩ): 100 Temps de fonctionnement max. (ms): 0,5 Temps de relâchement max. (ms): 0,1 Temps de rebondissement en fonctionnement (ms): 0,5</p>	<p>Tension de claquage: 150 V min. encourant continu Résistance d'isolement: 1 000 MΩ min. Tension de choc assignée: N/A</p>																																										
<table border="1"> <thead> <tr> <th>Valeurs de B_{10} (cycles)</th> <th>Charge</th> <th>Type de charge</th> <th>Tension</th> <th>Courant</th> <th>L/R (10)</th> </tr> </thead> <tbody> <tr> <td>N/A</td> <td>Max.</td> <td>Résistif</td> <td>10 V en courant continu</td> <td>0,1 A en courant continu</td> <td>1 ms</td> </tr> <tr> <td>N/A</td> <td>Faible</td> <td>Résistif</td> <td>5 V en courant continu</td> <td>1 mA en courant continu</td> <td>1 ms</td> </tr> <tr> <td>N/A</td> <td>Min.</td> <td>Résistif</td> <td>10 mV en courant continu</td> <td>10 μA en courant continu</td> <td>1 ms</td> </tr> <tr> <td>N/A</td> <td>Max.</td> <td>Résistif</td> <td>24 V en courant alternatif</td> <td>40 mA en courant alternatif</td> <td>1 ms</td> </tr> <tr> <td>N/A</td> <td>Faible</td> <td>Résistif</td> <td>N/A</td> <td>N/A</td> <td>1 ms</td> </tr> <tr> <td>N/A</td> <td>Min.</td> <td>Résistif</td> <td>N/A</td> <td>N/A</td> <td>1 ms</td> </tr> </tbody> </table>	Valeurs de B_{10} (cycles)	Charge	Type de charge	Tension	Courant	L/R (10)	N/A	Max.	Résistif	10 V en courant continu	0,1 A en courant continu	1 ms	N/A	Faible	Résistif	5 V en courant continu	1 mA en courant continu	1 ms	N/A	Min.	Résistif	10 mV en courant continu	10 μA en courant continu	1 ms	N/A	Max.	Résistif	24 V en courant alternatif	40 mA en courant alternatif	1 ms	N/A	Faible	Résistif	N/A	N/A	1 ms	N/A	Min.	Résistif	N/A	N/A	1 ms	
Valeurs de B_{10} (cycles)	Charge	Type de charge	Tension	Courant	L/R (10)																																						
N/A	Max.	Résistif	10 V en courant continu	0,1 A en courant continu	1 ms																																						
N/A	Faible	Résistif	5 V en courant continu	1 mA en courant continu	1 ms																																						
N/A	Min.	Résistif	10 mV en courant continu	10 μA en courant continu	1 ms																																						
N/A	Max.	Résistif	24 V en courant alternatif	40 mA en courant alternatif	1 ms																																						
N/A	Faible	Résistif	N/A	N/A	1 ms																																						
N/A	Min.	Résistif	N/A	N/A	1 ms																																						
Catégorie climatique des composants conformément à l'IEC 60068-1: 40/125/21 (11)																																											
Plage de températures – température ambiante de fonctionnement: –40 °C à 125 °C – température de stockage: –40 °C à 125 °C																																											
Vibrations: 196 m/s ² (20 g _n); 10 Hz à 2 000 Hz (12)																																											
Chocs: – fonctionnel 294 m/s ² (30 g _n), – survie 980 m/s ² (100 g _n)																																											
N° 1 du Tableau A.1 de l'IEC 62246-1:2015, Annexe A. (13)																																											

D.2.2 Spécification particulière-cadre (2)

(1)	(2)					
Composants électroniques soumis au régime d'assurance qualité conformément à: IEC 62246-1: 2015 IEC 62246-1-1: 2018	(3) (4)					
Spécification particulière pour l'utilisation des contacts à lames souples soumis au régime d'assurance qualité, Courant limite de service continu de 0,4 A						
Type: De type unipolaire et unidirectionnel, contacts normalement ouverts	(5)					
Construction: verre hermétiquement scellé, diamètre de 1,4 mm max. longueur de borne, type de 19,0 mm.	(6)					
Dessin d'encombrement Dimensions en millimètres	(7) (8)					
 <p>Masse nominale: Configuration du contact: 1 NO Finition des bornes: Étamage</p>	<p>Application:</p> <p>Le contact à lames souples conforme au présent document est fourni pour la manœuvre, dans des applications industrielles, des équipements médicaux^a, des appareils de mesure, des équipements informatiques et d'autres applications.</p> <p>^a Endoscope capsulaire</p>					
Données de contact	(9) (10)					
Valeur de relâchement (AT): 3 min. Valeur de fonctionnement (AT): 10 à 20 Résistance de contact max. (mΩ): 200 Temps de fonctionnement max. (ms): 0,5 Temps de relâchement max. (ms): 0,05 Temps de rebondissement en fonctionnement (ms): 0,5	Tension de claquage: 150 V min. en courant continu Résistance d'isolement: 1 000 MΩ min. Tension de choc assignée: N/A Tension de contact assignée: 100 V en courant continu Courant de contact assigné: 0,4 A en courant continu Puissance de contact assignée: 3 VA max. Valeurs assignées minimales de la puissance opérationnelle: N/A					
Valeurs de B_{10} (cycles)	Charge	Type de charge	Tension	Courant	L/R	(10)
N/A	Max.	Résistif	30 V en courant continu	0,2 A en courant continu	1 ms	
N/A	Faible	Résistif	N/A	N/A	1 ms	
N/A	Min.	Résistif	N/A	N/A	1 ms	
Catégorie climatique des composants conformément à l'IEC 60068-1: 40/125/21						(11)
Plage de températures – température ambiante de fonctionnement: –40 °C à 125 °C – température de stockage: –40 °C à 125 °C						
Vibrations: 294 m/s ² (30 g _n); 10 Hz à 2 000 Hz						(12)
Chocs: – fonctionnel 98 m/s ² (10 g _n) – survie 294 m/s ² (30 g _n)						
						(13)

D.2.3 Spécification particulière-cadre (3)

(1)	(2)																																										
Composants électroniques soumis au régime d'assurance qualité conformément à: (3) IEC 62246-1: 2015 IEC 62246-1-1: 2018	(4)																																										
Spécification particulière pour l'utilisation des contacts à lames souples soumis au régime d'assurance qualité, Courant limite de service continu de 0,3 A																																											
Type: De type unipolaire et unidirectionnel, contacts normalement ouverts	(5)																																										
Construction: verre hermétiquement scellé, diamètre de 1,8 mm max. longueur de borne, type de 35,8 mm.	(6)																																										
Dessin d'encombrement (7) Dimensions en millimètres	Application: (8)																																										
<p>Masse nominale: Configuration du contact: 1 NO Finition des bornes: Étamage</p>	<p>Le contact à lames souples conforme au présent document est fourni pour la manœuvre, dans des applications industrielles, des équipements de sécurité pour machines^a, des équipements de sécurité pour automobiles^b, des équipements pour atmosphère dangereuse^c, des équipements médicaux^d et d'autres applications.</p> <p>a Capteur de bouteille (capteur de position) b Détecteur de boucle de ceinture de sécurité c Détecteur de niveau carburant, Capteur de cuisinière à gaz (détection des marmites) d Aide à l'audition, endoscope capsulaire</p>																																										
Données de contact (9)	(10)																																										
<p>Valeur de relâchement (AT): 5 min. Valeur de fonctionnement (AT): 10 à 50 Résistance de contact max. (mΩ) 100 Temps de fonctionnement max. (ms): 0,5 Temps de relâchement max. (ms): 0,1 Temps de rebondissement en fonctionnement (ms): 0,5</p>	<p>Tension de claquage: 150 V min. en courant continu Résistance d'isolement: 1 000 MΩ min. Tension de choc assignée: N/A</p>																																										
<table border="1"> <thead> <tr> <th>Valeurs de B_{10} (cycles)</th> <th>Charge</th> <th>Type de charge</th> <th>Tension</th> <th>Courant</th> <th>L/R (10)</th> </tr> </thead> <tbody> <tr> <td>1 million</td> <td>Max.</td> <td>Résistif</td> <td>10 V en courant continu</td> <td>0,1 A en courant continu</td> <td>1 ms</td> </tr> <tr> <td>10 millions</td> <td>Faible</td> <td>Résistif</td> <td>5 V en courant continu</td> <td>1 mA en courant continu</td> <td>1 ms</td> </tr> <tr> <td>100 millions</td> <td>Min.</td> <td>Résistif</td> <td>10 mV en courant continu</td> <td>10 μA en courant continu</td> <td>1 ms</td> </tr> <tr> <td>1 million</td> <td>Max.</td> <td>Résistif</td> <td>24 V en courant alternatif</td> <td>40 mA en courant alternatif</td> <td>1 ms</td> </tr> <tr> <td>N/A</td> <td>Faible</td> <td>Résistif</td> <td>N/A</td> <td>N/A</td> <td>1 ms</td> </tr> <tr> <td>N/A</td> <td>Min.</td> <td>Résistif</td> <td>N/A</td> <td>N/A</td> <td>1 ms</td> </tr> </tbody> </table>	Valeurs de B_{10} (cycles)	Charge	Type de charge	Tension	Courant	L/R (10)	1 million	Max.	Résistif	10 V en courant continu	0,1 A en courant continu	1 ms	10 millions	Faible	Résistif	5 V en courant continu	1 mA en courant continu	1 ms	100 millions	Min.	Résistif	10 mV en courant continu	10 μA en courant continu	1 ms	1 million	Max.	Résistif	24 V en courant alternatif	40 mA en courant alternatif	1 ms	N/A	Faible	Résistif	N/A	N/A	1 ms	N/A	Min.	Résistif	N/A	N/A	1 ms	
Valeurs de B_{10} (cycles)	Charge	Type de charge	Tension	Courant	L/R (10)																																						
1 million	Max.	Résistif	10 V en courant continu	0,1 A en courant continu	1 ms																																						
10 millions	Faible	Résistif	5 V en courant continu	1 mA en courant continu	1 ms																																						
100 millions	Min.	Résistif	10 mV en courant continu	10 μA en courant continu	1 ms																																						
1 million	Max.	Résistif	24 V en courant alternatif	40 mA en courant alternatif	1 ms																																						
N/A	Faible	Résistif	N/A	N/A	1 ms																																						
N/A	Min.	Résistif	N/A	N/A	1 ms																																						
Catégorie climatique des composants conformément à l'IEC 60068-1: 40/125/21 (11)																																											
Plage de températures – température ambiante de fonctionnement: –40 °C à 125 °C – température de stockage: –40 °C à 125 °C																																											
Vibrations: 196 m/s ² (20 g _n); 10 Hz à 2 000 Hz (12)																																											
Chocs: – fonctionnel 294 m/s ² (30 g _n) – survie 980 m/s ² (100 g _n)																																											
N° 1 du Tableau A.1 de l'IEC 62246-1:2015, Annexe A. (13)																																											

D.2.4 Spécification particulière-cadre (4)

(1)	(2)																																										
Composants électroniques soumis au régime d'assurance qualité conformément à: IEC 62246-1: 2015 IEC 62246-1-1: 2018	(3) (4)																																										
Spécification particulière pour l'utilisation des contacts à lames souples soumis au régime d'assurance qualité, Courant limite de service continu de 1,0 A																																											
Type:	De type unipolaire et unidirectionnel, contacts normalement ouverts (5)																																										
Construction:	bornes, diamètre 0,5 mm pour le brasage verre hermétiquement scellé, diamètre de 2,5 mm max. longueur de borne, type de 44,3 mm. (6)																																										
Dessin d'encombrement Dimensions en millimètres (7)	Application: (8)																																										
<p>Masse nominale: Configuration du contact: 1 NO Finition des bornes: Étamage</p>	<p>Le contact à lames souples conforme au présent document est fourni pour la manœuvre, dans des applications industrielles, des équipements pour atmosphère dangereuse^a, des produits électroniques de consommation^b, des appareils de mesure et d'autres applications.</p> <p>^a Compteur de gaz (capteur d'écoulement des gaz, contact d'essai, contact de réarmement), chaudière (capteur d'écoulement d'eau) ^b Laveuse automatique (détecteur de couvercle)</p>																																										
Données de contact (9)	(10)																																										
Valeur de relâchement (AT): 5 min. Valeur de fonctionnement (AT): 10 à 50 Résistance de contact max. (mΩ): 100 Temps de fonctionnement max. (ms): 0,5 Temps de relâchement max. (ms): 0,1 Temps de rebondissement en fonctionnement (ms): 0,5	Tension de claquage: 150 V min. en courant continu Résistance d'isolement: 1 000 MΩ min. Tension de choc assignée: N/A																																										
<table border="1"> <thead> <tr> <th>Valeurs de B_{10} (cycles)</th> <th>Charge</th> <th>Type de charge</th> <th>Tension</th> <th>Courant</th> <th>L/R (10)</th> </tr> </thead> <tbody> <tr> <td>1 million</td> <td>Max.</td> <td>Résistif</td> <td>20 V en courant continu</td> <td>0,5 A en courant continu</td> <td>1 ms</td> </tr> <tr> <td>10 millions</td> <td>Faible</td> <td>Résistif</td> <td>5 V en courant continu</td> <td>1 mA en courant continu</td> <td>1 ms</td> </tr> <tr> <td>100 millions</td> <td>Min.</td> <td>Résistif</td> <td>10 mV en courant continu</td> <td>10 μA en courant continu</td> <td>1 ms</td> </tr> <tr> <td>1 million</td> <td>Max.</td> <td>Résistif</td> <td>100 V en courant alternatif</td> <td>0,1 A en courant alternatif</td> <td>1 ms</td> </tr> <tr> <td>N/A</td> <td>Faible</td> <td>Résistif</td> <td>N/A</td> <td>N/A</td> <td>1 ms</td> </tr> <tr> <td>N/A</td> <td>Min.</td> <td>Résistif</td> <td>N/A</td> <td>N/A</td> <td>1 ms</td> </tr> </tbody> </table>	Valeurs de B_{10} (cycles)	Charge	Type de charge	Tension	Courant	L/R (10)	1 million	Max.	Résistif	20 V en courant continu	0,5 A en courant continu	1 ms	10 millions	Faible	Résistif	5 V en courant continu	1 mA en courant continu	1 ms	100 millions	Min.	Résistif	10 mV en courant continu	10 μA en courant continu	1 ms	1 million	Max.	Résistif	100 V en courant alternatif	0,1 A en courant alternatif	1 ms	N/A	Faible	Résistif	N/A	N/A	1 ms	N/A	Min.	Résistif	N/A	N/A	1 ms	
Valeurs de B_{10} (cycles)	Charge	Type de charge	Tension	Courant	L/R (10)																																						
1 million	Max.	Résistif	20 V en courant continu	0,5 A en courant continu	1 ms																																						
10 millions	Faible	Résistif	5 V en courant continu	1 mA en courant continu	1 ms																																						
100 millions	Min.	Résistif	10 mV en courant continu	10 μA en courant continu	1 ms																																						
1 million	Max.	Résistif	100 V en courant alternatif	0,1 A en courant alternatif	1 ms																																						
N/A	Faible	Résistif	N/A	N/A	1 ms																																						
N/A	Min.	Résistif	N/A	N/A	1 ms																																						
Catégorie climatique des composants conformément à l'IEC 60068-1: 40/125/21 (11)																																											
Plage de températures – température ambiante de fonctionnement: –40 °C à 125 °C – température de stockage: –40 °C à 125 °C																																											
Vibrations: 196 m/s ² (20 g _n); 10 Hz à 2 000 Hz (12)																																											
Chocs: – fonctionnel 294 m/s ² (30 g _n) – survie 980 m/s ² (100 g _n)																																											
N° 7 du Tableau A.1 de l'IEC 62246-1:2015, Annexe A. (13)																																											

D.2.5 Spécification particulière-cadre (5)

(1)	(2)																																										
Composants électroniques soumis au régime d'assurance qualité conformément à: IEC 62246-1: 2015 IEC 62246-1-1: 2018	(3) (4)																																										
Spécification particulière pour l'utilisation des contacts à lames souples pour service intensif soumis au régime d'assurance qualité, Courant limite de service continu de 2,5 A																																											
Type: De type unipolaire et unidirectionnel, contacts normalement ouverts	(5)																																										
Construction: bornes, diamètre 0,6 mm pour le brasage verre hermétiquement scellé, diamètre de 2,75 mm max. longueur de borne, type de 55,4 mm.	(6)																																										
Dessin d'encombrement (7) Dimensions en millimètres	Application: (8)																																										
<p>Masse nominale: Configuration du contact: 1 NO Finition des bornes: Étamage</p>	<p>Le contact à lames souples conforme au présent document est fourni pour la manœuvre, dans des applications industrielles, des équipements de sécurité pour automobiles^a, des appareils de commande moteur^b et d'autres applications.</p> <p>^a Détecteur d'airbag (détecteur de choc) ^b Capteur de température, capteur de pression</p>																																										
Données de contact (9)	(10)																																										
Valeur de relâchement (AT): 5 min. Valeur de fonctionnement (AT): 10 à 50 Résistance de contact max. (mΩ): 100 Temps de fonctionnement max. (ms): 0,5 Temps de relâchement max. (ms): 0,1 Temps de rebondissement en fonctionnement (ms): 0,5	Tension de claquage: 200 V min. en courant continu Résistance d'isolement: 1 000 MΩ min. Tension de choc assignée: N/A																																										
<table border="1"> <thead> <tr> <th>Valeurs de B_{10} (cycles)</th> <th>Charge</th> <th>Type de charge</th> <th>Tension</th> <th>Courant</th> <th>L/R (10)</th> </tr> </thead> <tbody> <tr> <td>1 million</td> <td>Max.</td> <td>Résistif</td> <td>50 V en courant continu</td> <td>1 A en courant continu</td> <td>1 ms</td> </tr> <tr> <td>10 millions</td> <td>Faible</td> <td>Résistif</td> <td>5 V en courant continu</td> <td>10 mA en courant continu</td> <td>1 ms</td> </tr> <tr> <td>100 millions</td> <td>Min.</td> <td>Résistif</td> <td>10 mV en courant continu</td> <td>10 μA en courant continu</td> <td>1 ms</td> </tr> <tr> <td>1 million</td> <td>Max.</td> <td>Résistif</td> <td>150 V en courant alternatif</td> <td>0,45 A en courant alternatif</td> <td>1 ms</td> </tr> <tr> <td>N/A</td> <td>Faible</td> <td>Résistif</td> <td>N/A</td> <td>N/A</td> <td>1 ms</td> </tr> <tr> <td>N/A</td> <td>Min.</td> <td>Résistif</td> <td>N/A</td> <td>N/A</td> <td>1 ms</td> </tr> </tbody> </table>	Valeurs de B_{10} (cycles)	Charge	Type de charge	Tension	Courant	L/R (10)	1 million	Max.	Résistif	50 V en courant continu	1 A en courant continu	1 ms	10 millions	Faible	Résistif	5 V en courant continu	10 mA en courant continu	1 ms	100 millions	Min.	Résistif	10 mV en courant continu	10 μA en courant continu	1 ms	1 million	Max.	Résistif	150 V en courant alternatif	0,45 A en courant alternatif	1 ms	N/A	Faible	Résistif	N/A	N/A	1 ms	N/A	Min.	Résistif	N/A	N/A	1 ms	
Valeurs de B_{10} (cycles)	Charge	Type de charge	Tension	Courant	L/R (10)																																						
1 million	Max.	Résistif	50 V en courant continu	1 A en courant continu	1 ms																																						
10 millions	Faible	Résistif	5 V en courant continu	10 mA en courant continu	1 ms																																						
100 millions	Min.	Résistif	10 mV en courant continu	10 μA en courant continu	1 ms																																						
1 million	Max.	Résistif	150 V en courant alternatif	0,45 A en courant alternatif	1 ms																																						
N/A	Faible	Résistif	N/A	N/A	1 ms																																						
N/A	Min.	Résistif	N/A	N/A	1 ms																																						
Catégorie climatique des composants conformément à l'IEC 60068-1: 40/125/21 (11)																																											
Plage de températures – température ambiante de fonctionnement: –40 °C à 125 °C – température de stockage: –40 °C à 125 °C																																											
Vibrations: 196 m/s ² (20 g _n); 10 Hz à 2 000 Hz (12)																																											
Chocs: – fonctionnel 294 m/s ² (30 g _n) – survie 980 m/s ² (100 g _n)																																											
N° 13 du Tableau A.1 de l'IEC 62246-1:2015, Annexe A. (13)																																											

D.2.6 Spécification particulière-cadre (6)

(1)	(2)					
Composants électroniques soumis au régime d'assurance qualité conformément à: IEC 62246-1: 2015 IEC 62246-1-1: 2018	(3) (4)					
Spécification particulière pour l'utilisation des contacts à lames souples soumis au régime d'assurance qualité, Courant limite de service continu de 1 A						
Type: De type unipolaire et unidirectionnel, contacts normalement ouverts	(5)					
Construction: bornes, diamètre 0,52 mm pour le brasage verre hermétiquement scellé, diamètre de 2,2 mm max. longueur de borne, type de 56,7 mm.	(6)					
Dessin d'encombrement Dimensions en millimètres	(7) (8)					
<p>Masse nominale: Configuration du contact: 1 NO Finition des bornes: Étamage</p>	<p>Application:</p> <p>Le contact à lames souples conforme au présent document est fourni pour la manœuvre, dans des applications industrielles, des équipements de sécurité pour machines^a, des équipements de sécurité pour automobiles^b et, dans d'autres applications, du voyant lumineux relatif à la spécification de la consommation d'une faible quantité d'énergie, une spécification qui utilise des LED (diodes électroluminescentes), etc.</p> <p>^a Capteurs de flotteur, capteurs de proximité ^b Applications pour véhicule (non compris les charges localisées)</p>					
Données de contact	(9) (10)					
Valeur de relâchement (AT): 3 min. Valeur de fonctionnement (AT): 10 à 30 Résistance de contact max. (mΩ): 150 Temps de fonctionnement max. (ms): 0,5 Temps de relâchement max. (ms): 0,05 Temps de rebondissement en fonctionnement (ms): 0,5	Tension de claquage: 150 V min. en courant continu Résistance d'isolement: 1 000 MΩ min. Tension de choc assignée: N/A Tension de contact assignée: 30 V en courant continu / 30 V en courant alternatif Courant de contact assigné: 0,2 A en courant continu Puissance de contact assignée: 3 W / 3 VA max. Valeurs assignées minimales de la puissance opérationnelle: N/A					
Valeurs de B_{10} (cycles)	Charge	Type de charge	Tension	Courant	L/R	(10)
N/A	Max.	Résistif	100 V en courant continu	0,5 A en courant continu	1 ms	
N/A	Faible	Résistif	N/A	N/A	1 ms	
N/A	Min.	Résistif	N/A	N/A	1 ms	
N/A	Max.	Résistif	100 V en courant alternatif	0,5 A en courant continu	1 ms	
N/A	Faible	Résistif	N/A	N/A	1 ms	
N/A	Min.	Résistif	N/A	N/A	1 ms	
Catégorie climatique des composants conformément à l'IEC 60068-1: 40/125/21						(11)
Plage de températures – température ambiante de fonctionnement: –40 °C à 125 °C – température de stockage: –40 °C à 125 °C						
Vibrations: 490 m/s ² (50 g _n); 10 Hz à 2 000 Hz						(12)
Chocs: – fonctionnel 98 m/s ² (10 g _n) – survie 490 m/s ² (50 g _n)						
						(13)

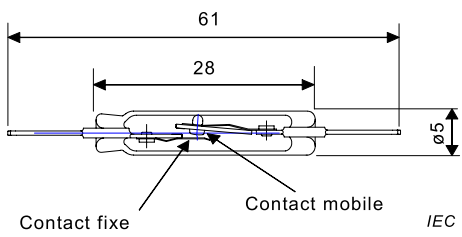
D.2.7 Spécification particulière-cadre (7)

(1)	(2)					
Composants électroniques soumis au régime d'assurance qualité conformément à: IEC 62246-1: 2015 IEC 62246-1-1: 2018	(3) (4)					
Spécification particulière pour l'utilisation des contacts à lames souples soumis au régime d'assurance qualité, Courant limite de service continu de 2 A						
Type: De type unipolaire et unidirectionnel, contacts normalement ouverts	(5)					
Construction: bornes, diamètre 0,60 mm pour le brasage verre hermétiquement scellé, diamètre de 2,7 mm max. longueur de borne, type de 57,0 mm.	(6)					
Dessin d'encombrement Dimensions en millimètres	(7) (8)					
<p>Masse nominale: Configuration du contact: 1 NO Finition des bornes: Étamage</p>	<p>Application: Le contact à lames souples conforme au présent document est fourni pour la manœuvre, dans des applications automobiles^a, du voyant d'alarme, etc. ^a Capteurs de niveau, capteurs de proximité</p>					
Données de contact	(9) (10)					
<p>Valeur de relâchement (AT): 10 min. Valeur de fonctionnement (AT): 30 à 50 Résistance de contact max. (mΩ): 150 Temps de fonctionnement max. (ms): 1,0 Temps de relâchement max. (ms): 0,05 Temps de rebondissement en fonctionnement (ms): 0,5</p>	<p>Tension de claquage: 150 V min. en courant continu Résistance d'isolement: 1 000 MΩ min. Tension de choc assignée: N/A Tension de contact assignée: 200 V en courant continu Courant de contact assigné: 3 A en courant continu (courant d'appel) Puissance de contact assignée: 10 VA max. Valeurs assignées minimales de la puissance opérationnelle: N/A</p>					
Valeurs de B_{10} (cycles)	Charge	Type de charge	Tension	Courant	L/R	(10)
N/A	Max.	Lampe à incandescence	100 V en courant continu	3 A en courant continu (courant d'appel)	1 ms	
N/A	Faible	Résistif	N/A	N/A	1 ms	
N/A	Min.	Résistif	N/A	N/A	1 ms	
Catégorie climatique des composants conformément à l'IEC 60068-1: 40/125/21						(11)
Plage de températures – température ambiante de fonctionnement: –40 °C à 125 °C – température de stockage: –40 °C à 125 °C						
Vibrations: 490 m/s ² (50 g _n); 10 Hz à 2 000 Hz						(12)
Chocs: – fonctionnel 98 m/s ² (10 g _n) – survie 490 m/s ² (50 g _n)						
						(13)

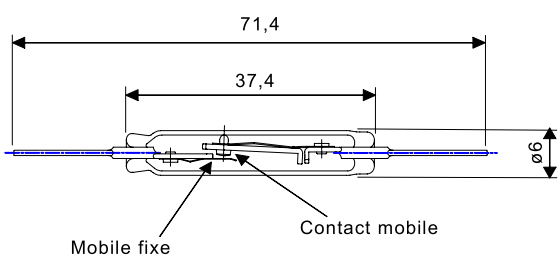
D.2.8 Spécification particulière-cadre (8)

(1)	(2)																																																	
Composants électroniques soumis au régime d'assurance qualité conformément à: IEC 62246-1: 2015 IEC 62246-1-1: 2018	(3) (4)																																																	
Spécification particulière pour l'utilisation des contacts à lames souples soumis au régime d'assurance qualité, Courant limite de service continu de 0,5 A																																																		
Type: De type unipolaire et bidirectionnel, contacts de transfert	(5)																																																	
Construction: bornes, diamètre 0,5 mm pour le brasage verre hermétiquement scellé, diamètre de 2,54 mm max. longueur de borne, type de 56,1 mm.	(6)																																																	
Dessin d'encombrement Dimensions en millimètres	(7) (8)																																																	
<p>Masse nominale: Configuration du contact: 1 C/O Finition des bornes: Étamage</p>	<p>Application:</p> <p>Le contact à lames souples conforme au présent document est fourni pour la manœuvre, dans des applications industrielles, des systèmes de sécurité résidentielle^a, des appareils de commande moteur^b et d'autres applications.</p> <p>^a Capteur de porte ^b Capteur de niveau d'huile</p>																																																	
Données de contact	(9) (10)																																																	
Valeur de relâchement (AT): 4 min. Valeur de fonctionnement (AT): 10 à 30 Résistance de contact max. (mΩ): 100 Temps de fonctionnement max. (ms): 1,5 Temps de relâchement max. (ms): 0,1 Temps de rebondissement en fonctionnement (ms): 2,0	Tension de claquage: 150 V min. en courant continu Résistance d'isolement: 1 000 MΩ min. Tension de choc assignée: N/A																																																	
<table border="1"> <thead> <tr> <th>Valeurs de B_{10} (cycles)</th> <th>Charge</th> <th>Type de charge</th> <th>Tension</th> <th>Courant</th> <th>L/R</th> <th>(10)</th> </tr> </thead> <tbody> <tr> <td>1 million</td> <td>Max.</td> <td>Résistif</td> <td>15 V en courant continu</td> <td>0,2 A en courant continu</td> <td>1 ms</td> <td></td> </tr> <tr> <td>10 millions</td> <td>Faible</td> <td>Résistif</td> <td>5 V en courant continu</td> <td>1 mA en courant continu</td> <td>1 ms</td> <td></td> </tr> <tr> <td>100 millions</td> <td>Min.</td> <td>Résistif</td> <td>10 mV en courant continu</td> <td>10 μA en courant continu</td> <td>1 ms</td> <td></td> </tr> <tr> <td>1 million</td> <td>Max.</td> <td>Résistif</td> <td>30 V en courant alternatif</td> <td>0,1 A en courant alternatif</td> <td>1 ms</td> <td></td> </tr> <tr> <td>N/A</td> <td>Faible</td> <td>Résistif</td> <td>N/A</td> <td>N/A</td> <td>1 ms</td> <td></td> </tr> <tr> <td>N/A</td> <td>Min.</td> <td>Résistif</td> <td>N/A</td> <td>N/A</td> <td>1 ms</td> <td></td> </tr> </tbody> </table>	Valeurs de B_{10} (cycles)	Charge	Type de charge	Tension	Courant	L/R	(10)	1 million	Max.	Résistif	15 V en courant continu	0,2 A en courant continu	1 ms		10 millions	Faible	Résistif	5 V en courant continu	1 mA en courant continu	1 ms		100 millions	Min.	Résistif	10 mV en courant continu	10 μA en courant continu	1 ms		1 million	Max.	Résistif	30 V en courant alternatif	0,1 A en courant alternatif	1 ms		N/A	Faible	Résistif	N/A	N/A	1 ms		N/A	Min.	Résistif	N/A	N/A	1 ms		
Valeurs de B_{10} (cycles)	Charge	Type de charge	Tension	Courant	L/R	(10)																																												
1 million	Max.	Résistif	15 V en courant continu	0,2 A en courant continu	1 ms																																													
10 millions	Faible	Résistif	5 V en courant continu	1 mA en courant continu	1 ms																																													
100 millions	Min.	Résistif	10 mV en courant continu	10 μA en courant continu	1 ms																																													
1 million	Max.	Résistif	30 V en courant alternatif	0,1 A en courant alternatif	1 ms																																													
N/A	Faible	Résistif	N/A	N/A	1 ms																																													
N/A	Min.	Résistif	N/A	N/A	1 ms																																													
NOTE Les valeurs de B_{10} ne peuvent être appliquées qu'au contact NO ou NC d'un contact à deux directions dans lequel le circuit du contact d'ouverture s'ouvre avant que le circuit du contact de fermeture ne se ferme.																																																		
Catégorie climatique des composants conformément à l'IEC 60068-1:			40/125/21	(11)																																														
Plage de températures			– température ambiante de fonctionnement: –40 °C à 125 °C – température de stockage: –40 °C à 125 °C																																															
Vibrations: 196 m/s ² (20 g _n); 10 Hz à 2 000 Hz			(12)																																															
Chocs:			– fonctionnel 294 m/s ² (30 g _n) – survie 980 m/s ² (100 g _n)																																															
N° 2 du Tableau A.1 de l'IEC 62246-1:2015, Annexe A.						(13)																																												

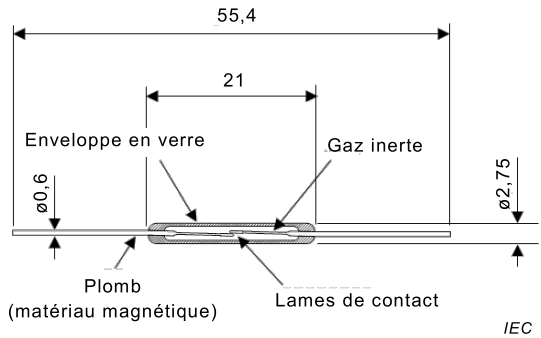
D.2.9 Spécification particulière-cadre (9)

(1)	(2)																																										
Composants électroniques soumis au régime d'assurance qualité conformément à: IEC 62246-1: 2015 IEC 62246-1-1: 2018	(4)																																										
Spécification particulière pour l'utilisation des contacts à lames souples pour service intensif soumis au régime d'assurance qualité, Courant limite de service continu de 3,0 A																																											
Type: De type unipolaire et unidirectionnel, contacts normalement ouverts	(5)																																										
Construction: bornes, 0,5 mm d'épaisseur × 2,4 mm de largeur pour le brasage verre hermétiquement scellé, diamètre de 5 mm max. longueur de borne, 61 mm max.	(6)																																										
Dessin d'encombrement Dimensions en millimètres	(7)																																										
 <p>61 28 0,5</p> <p>Contact fixe Contact mobile IEC</p>	(8)																																										
<p>Application:</p> <p>Le contact à lames souples pour service intensif conforme au présent document est fourni pour la manœuvre, dans des applications industrielles, des équipements de sécurité pour machines^b, des équipements pour atmosphère dangereuse^{a, d}, du matériel ferroviaire électrique^{a, d, c, e} et des équipements de commande de profondeur^c et d'autres applications.</p> <p>^a relais à lames souples ^b dispositifs de verrouillage de sécurité ^c commutateurs magnétiques de proximité ^d commutateurs à bouton-poussoir ^e capteurs de mouvement de basculement</p>																																											
Masse nominale: Configuration du contact: 1 NO Finition des bornes: Étamage NOTE Le côté contact fixe (contact à ressort) est de polarité positive lors de l'utilisation dans un circuit à courant continu.																																											
Données de contact	(9)																																										
<p>Valeur de relâchement (AT): 50 min. Valeur de fonctionnement (AT): 100 à 130 Résistance de contact max. (mΩ): 500 Temps de fonctionnement max. (ms): 5 Temps de relâchement max. (ms): 3 Temps de rebondissement en fonctionnement (ms): 3</p>	(10)																																										
<p>Tension de claquage: 500 V min. en courant alternatif Résistance d'isolement: 100 MΩ min. Tension de choc: N/A</p>																																											
<table border="1"> <thead> <tr> <th>Valeurs de B_{10} (cycles)</th> <th>Charge</th> <th>Type de charge</th> <th>Tension</th> <th>Courant</th> <th>L/R</th> </tr> </thead> <tbody> <tr> <td>300 000</td> <td>Max.</td> <td>Inductif</td> <td>115 V en courant continu</td> <td>0,3 A en courant continu</td> <td>40 ms</td> </tr> <tr> <td>15 millions</td> <td>Faible</td> <td>Inductif</td> <td>24 V en courant continu</td> <td>37 mA</td> <td>7 ms</td> </tr> <tr> <td>N/A</td> <td>Min.</td> <td>Résistif</td> <td>24 V en courant continu</td> <td>1 mA</td> <td>1 ms</td> </tr> <tr> <td>1 million</td> <td>Max.</td> <td>Inductif</td> <td>240 V en courant alternatif</td> <td>0,5 A en courant alternatif</td> <td>Fermeture: $\cos \varphi = 0,7$ Coupure: $\cos \varphi = 0,4$</td> </tr> <tr> <td>N/A</td> <td>Faible</td> <td>Inductif</td> <td>N/A</td> <td>N/A</td> <td>N/A</td> </tr> <tr> <td>N/A</td> <td>Min.</td> <td>Résistif</td> <td>N/A</td> <td>N/A</td> <td>1 ms</td> </tr> </tbody> </table>	Valeurs de B_{10} (cycles)	Charge	Type de charge	Tension	Courant	L/R	300 000	Max.	Inductif	115 V en courant continu	0,3 A en courant continu	40 ms	15 millions	Faible	Inductif	24 V en courant continu	37 mA	7 ms	N/A	Min.	Résistif	24 V en courant continu	1 mA	1 ms	1 million	Max.	Inductif	240 V en courant alternatif	0,5 A en courant alternatif	Fermeture: $\cos \varphi = 0,7$ Coupure: $\cos \varphi = 0,4$	N/A	Faible	Inductif	N/A	N/A	N/A	N/A	Min.	Résistif	N/A	N/A	1 ms	(10)
Valeurs de B_{10} (cycles)	Charge	Type de charge	Tension	Courant	L/R																																						
300 000	Max.	Inductif	115 V en courant continu	0,3 A en courant continu	40 ms																																						
15 millions	Faible	Inductif	24 V en courant continu	37 mA	7 ms																																						
N/A	Min.	Résistif	24 V en courant continu	1 mA	1 ms																																						
1 million	Max.	Inductif	240 V en courant alternatif	0,5 A en courant alternatif	Fermeture: $\cos \varphi = 0,7$ Coupure: $\cos \varphi = 0,4$																																						
N/A	Faible	Inductif	N/A	N/A	N/A																																						
N/A	Min.	Résistif	N/A	N/A	1 ms																																						
<p>Catégorie climatique des composants conformément à l'IEC 60068-1: 50/150/10</p> <p>Plage de températures – température ambiante de fonctionnement: –50 °C à 150 °C – température de stockage: –60 °C à 180 °C</p>	(11)																																										
<p>Vibrations: 147 m/s² (15 g_n), 10 Hz à 2 000 Hz</p> <p>Chocs: – fonctionnel 196 m/s² (20 g_n), – survie 980 m/s² (100 g_n)</p>	(12)																																										
<p>N° 25 du Tableau A.1 de l'IEC 62246-1:2015, Annexe A. Essais fonctionnels; Essais de rémanence; Résistance du circuit de contact; Temps de fonctionnement; Fréquence maximale des cycles; Coincement de contact; Étanchéité.</p> <p>N° 28, 29 et 30 du Tableau A.1 de l'IEC 62246-1:2015, Annexe A. Vibrations; Choc; Endurance électrique; Endurance mécanique; Essai de fiabilité des contacts; Essai de court-circuit conditionnel; Essai de résistance aux ondes de choc; Pouvoirs de fermeture et de coupure; Échauffement; Pouvoir de fermeture en courant; Pouvoir de coupure en courant.</p>	(13)																																										

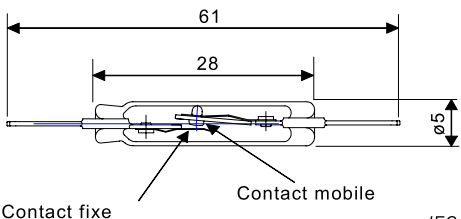
D.2.10 Spécification particulière-cadre (10)

(1)	(2)					
Composants électroniques soumis au régime d'assurance qualité conformément à: IEC 62246-1: 2015 IEC 62246-1-1: 2018	(3) (4)					
Spécification particulière pour l'utilisation des contacts à lames souples pour service intensif soumis au régime d'assurance qualité, Courant limite de service continu de 5,0 A						
Type: De type unipolaire et unidirectionnel, contacts normalement ouverts	(5)					
Construction: bornes, 0,5 mm d'épaisseur × 2,4 mm de largeur pour le brasage verre hermétiquement scellé, diamètre de 6 mm max. longueur de borne, 71,4 mm max.	(6)					
Dessin d'encombrement Dimensions en millimètres  Masse nominale: Configuration du contact: 1 NO Finition des bornes: Étamage NOTE Le côté contact fixe (contact à ressort) est de polarité positive lors de l'utilisation dans un circuit à courant continu.	(7) (8) Application: Le contact à lames souples pour service intensif conforme au présent document est fourni pour la manœuvre, dans des applications industrielles, des équipements de sécurité pour machines ^b , des équipements pour atmosphère dangereuse ^{a, d} , du matériel ferroviaire électrique ^{a, b, c} et des équipements de commande de profondeur ^c et d'autres applications. ^a relais à lames souples ^b dispositifs de verrouillage de sécurité ^c commutateurs magnétiques de proximité ^d commutateurs à bouton-poussoir					
Données de contact	(9) (10)					
Valeur de relâchement (AT): 60 min. Valeur de fonctionnement (AT): 180 à 230 Résistance de contact max. (mΩ): 500 Temps de fonctionnement max. (ms): 5 Temps de relâchement max. (ms): 3 Temps de rebondissement en fonctionnement (ms): 3	Tension de claquage: 800 V min. en courant alternatif Résistance d'isolement: 100 MΩ min. Tension de choc assignée: N/A					
Valeurs de B_{10} (cycles)	Charge	Type de charge	Tension	Courant	L/R	(10)
300 000	Max.	Inductif	115 V en courant continu	0,5 A en courant continu	100 ms	
30 millions	Faible	Inductif	24 V en courant continu	37 mA	7 ms	
N/A	Min.	Résistif	24 V en courant continu	1 mA	1 ms	
800 000	Max.	Inductif	240 V en courant alternatif	1,0 A en courant alternatif	Fermeture: $\cos \varphi = 0,7$ Coupure: $\cos \varphi = 0,4$	
N/A	Faible	Inductif	N/A	N/A	N/A	
N/A	Min.	Résistif	N/A	N/A	1 ms	
Catégorie climatique des composants conformément à l'IEC 60068-1: 50/150/10						(11)
Plage de températures – température ambiante de fonctionnement: –50 °C à 150 °C – température de stockage: –60 °C à 180 °C						
Vibrations: 196 m/s ² (20 g _n); 20 Hz à 1 000 Hz						(12)
Chocs: – fonctionnel 392 m/s ² (40 g _n), – survie 980 m/s ² (100 g _n)						
N° 25 du Tableau A.1 de l'IEC 62246-1:2015, Annexe A. Essais fonctionnels; Essais de rémanence; Résistance du circuit de contact; Temps de fonctionnement; Fréquence maximale des cycles; Coïncement de contact; Étanchéité. N° 28, 29 et 30 du Tableau A.1 de l'IEC 62246-1:2015, Annexe A. Vibrations; Choc; Endurance électrique; Endurance mécanique; Essai de fiabilité des contacts; Essai de court-circuit conditionnel; Essai de résistance aux ondes de choc; Pouvoirs de fermeture et de coupure; Échauffement; Pouvoir de fermeture en courant; Pouvoir de coupure en courant.						(13)

D.2.11 Spécification particulière-cadre (11)

(1)	(2)																																										
Composants électroniques soumis au régime d'assurance qualité conformément à: IEC 62246-1: 2015 IEC 62246-1-1: 2018	(3) (4)																																										
Spécification particulière pour l'utilisation des contacts à lames souples à haute tension de claquage soumis au régime d'assurance qualité, Courant limite de service continu de 2,5 A Type: De type unipolaire et unidirectionnel, contacts normalement ouverts (5) Variante B (6) Construction: bornes, diamètre 0,6 mm pour le brasage verre hermétiquement scellé, diamètre de 2,75 mm max. longueur de borne, type de 55,4 mm.																																											
Dessin d'encombrement (7) Dimensions en millimètres  Masse nominale: Configuration du contact: 1 NO Finition des bornes: Étamage	Application: (8) Le contact à lames souples à haute tension de claquage conforme au présent document est fourni pour la manœuvre, dans des applications industrielles, des équipements de sécurité pour machines ^a , des appareils de commande moteur ^b et d'autres applications. ^a Capteur de bouteille (capteur de position) ^b Capteur de niveau d'huile																																										
Données de contact (9)	(10)																																										
Valeur de relâchement (AT): 5 min. Valeur de fonctionnement (AT): 10 à 60 Résistance de contact max. (mΩ): 100 Temps de fonctionnement max. (ms): 0,8 Temps de relâchement max. (ms): 0,1 Temps de rebondissement en fonctionnement (ms): 0,8	Tension de claquage: 1 000 V min. en courant continu Résistance d'isolement: 1 000 MΩ min. Tension de choc assignée: N/A																																										
<table border="1"> <thead> <tr> <th>Valeurs de B_{10} (cycles)</th> <th>Charge</th> <th>Type de charge</th> <th>Tension</th> <th>Courant</th> <th>L/R</th> </tr> </thead> <tbody> <tr> <td>1 million</td> <td>Max.</td> <td>Résistif</td> <td>70 V en courant continu</td> <td>0,7 A en courant continu</td> <td>1 ms</td> </tr> <tr> <td>10 millions</td> <td>Faible</td> <td>Résistif</td> <td>5 V en courant continu</td> <td>10 mA en courant continu</td> <td>1 ms</td> </tr> <tr> <td>100 millions</td> <td>Min.</td> <td>Résistif</td> <td>10 mV en courant continu</td> <td>10 μA en courant continu</td> <td>1 ms</td> </tr> <tr> <td>1 million</td> <td>Max.</td> <td>Résistif</td> <td>300 V en courant alternatif</td> <td>0,23 A en courant alternatif</td> <td>1 ms</td> </tr> <tr> <td>N/A</td> <td>Faible</td> <td>Résistif</td> <td>N/A</td> <td>N/A</td> <td>1 ms</td> </tr> <tr> <td>N/A</td> <td>Min.</td> <td>Résistif</td> <td>N/A</td> <td>N/A</td> <td>1 ms</td> </tr> </tbody> </table>	Valeurs de B_{10} (cycles)	Charge	Type de charge	Tension	Courant	L/R	1 million	Max.	Résistif	70 V en courant continu	0,7 A en courant continu	1 ms	10 millions	Faible	Résistif	5 V en courant continu	10 mA en courant continu	1 ms	100 millions	Min.	Résistif	10 mV en courant continu	10 μA en courant continu	1 ms	1 million	Max.	Résistif	300 V en courant alternatif	0,23 A en courant alternatif	1 ms	N/A	Faible	Résistif	N/A	N/A	1 ms	N/A	Min.	Résistif	N/A	N/A	1 ms	(10)
Valeurs de B_{10} (cycles)	Charge	Type de charge	Tension	Courant	L/R																																						
1 million	Max.	Résistif	70 V en courant continu	0,7 A en courant continu	1 ms																																						
10 millions	Faible	Résistif	5 V en courant continu	10 mA en courant continu	1 ms																																						
100 millions	Min.	Résistif	10 mV en courant continu	10 μA en courant continu	1 ms																																						
1 million	Max.	Résistif	300 V en courant alternatif	0,23 A en courant alternatif	1 ms																																						
N/A	Faible	Résistif	N/A	N/A	1 ms																																						
N/A	Min.	Résistif	N/A	N/A	1 ms																																						
Catégorie climatique des composants conformément à l'IEC 60068-1: 40/125/21 (11) Plage de températures – température ambiante de fonctionnement: –40 °C à 125 °C – température de stockage: –40 °C à 125 °C																																											
Vibrations: 196 m/s ² (20 g _n); 10 Hz à 2 000 Hz (12) Chocs: – fonctionnel 294 m/s ² (30 g _n) – survie 980 m/s ² (100 g _n)																																											
N° 13 du Tableau A.1 de l'IEC 62246-1: 2015, Annexe A. (13)																																											

D.2.12 Spécification particulière-cadre (12)

(1)	(2)					
Composants électroniques soumis au régime (3) d'assurance qualité conformément à: IEC 62246-1: 2015 IEC 62246-1-1: 2018	(4)					
Spécification particulière pour la variante B des contacts à lames souples pour service intensif soumis au régime d'assurance qualité, Courant limite de service continu de 3,0 A						
Type: De type unipolaire et unidirectionnel, contacts normalement ouverts	(5)					
Construction: bornes, 0,5 mm d'épaisseur × 2,4 mm de largeur pour le brasage verre hermétiquement scellé, diamètre de 5 mm max. longueur de borne, 61 mm max.	(6)					
Dessin d'encombrement (7)	Domaine d'application type: (8)					
Dimensions en millimètres  Contact fixe Contact mobile IEC Masse nominale: Configuration du contact: 1 NO Finition des bornes: Étamage NOTE Le côté contact fixe (contact à ressort) est de polarité positive lors de l'utilisation dans un circuit à courant continu.	Le contact à lames souples pour service intensif conforme au présent document est fourni pour le fonctionnement, dans des applications industrielles, des équipements d'énergie électrique ^{a,b} , des équipements de signalisation ferroviaire ^a et d'autres applications. a Relais à lames souples b Commutateurs magnétiques de proximité					
Données de contact (9)	(10)					
Valeur de relâchement (AT): 50 min. Valeur de fonctionnement (AT): 100 à 130 Résistance de contact max. (mΩ): 500 Temps de fonctionnement max. (ms): 5 Temps de relâchement max. (ms): 3 Temps de rebondissement en fonctionnement (ms): 3	Tension de claquage: 1 000 V min. en courant alternatif Résistance d'isolement: 100 MΩ min. Tension de choc assignée: 1,2 × 50 μs, 3 000 V					
Valeurs de B_{10} (cycles)	Charge	Type de charge	Tension	Courant	L/R	(10)
100 000	Max.	Inductif	115 V en courant continu	0,3 A en courant continu	40 ms	
N/A	Faible	Inductif	24 V en courant continu	37 mA	7 ms	
N/A	Min.	Résistif	24 V en courant continu	1 mA	1 ms	
N/A	Max.	Inductif	240 V en courant alternatif	0,5 A en courant alternatif	Fermeture: $\cos \varphi = 0,7$ Coupure: $\cos \varphi = 0,4$	
N/A	Faible	Inductif	N/A	N/A	N/A	
N/A	Min.	Résistif	N/A	N/A	1 ms	
Catégorie climatique des composants conformément à l'IEC 60068-1: 50/150/10						(11)
Plage de températures – température ambiante de fonctionnement: –50 °C à 150 °C – température de stockage: –60 °C à 180 °C						
Vibrations: 147 m/s ² (15 g _n), 20 Hz à 1 000 Hz						(12)
Chocs: – fonctionnel 196 m/s ² (20 g _n), – survie 980 m/s ² (100 g _n)						
N° 25 du Tableau A.1 de l'IEC 62246-1:2015, Annexe A. Essais fonctionnels; Essais de rémanence; Résistance du circuit de contact; Temps de fonctionnement; Fréquence maximale des cycles; Coincement de contact; Étanchéité.						(13)
N° 28, 29 et 30 du Tableau A.1 de l'IEC 62246-1:2015, Annexe A. Vibrations; Choc; Endurance électrique; Endurance mécanique; Essai de fiabilité des contacts; Essai de court-circuit conditionnel; Essai de résistance aux ondes de choc; Pouvoirs de fermeture et de coupure; Échauffement; Pouvoir de fermeture en courant; Pouvoir de coupure en courant.						

Bibliographie

- IEC 60068-1:2013, *Essais d'environnement – Partie 1: Généralités et lignes directrices*
- IEC 60068-2-1:2007, *Essais d'environnement – Partie 2-1: Essais – Essai A: Froid*
- IEC 60068-2-2:2007, *Essais d'environnement – Partie 2-2: Essais – Essai B: Chaleur sèche*
- IEC 60068-2-7:1983, *Essais fondamentaux climatiques et de robustesse mécanique – Partie 2-7: Essais – Essai Ga et guide: Accélération constante*
- IEC 60068-2-11:1981, *Essais fondamentaux climatiques et de robustesse mécanique – Partie 2-11: Essais – Essai Ka: Brouillard salin*
- IEC 60068-2-13:1983, *Essais fondamentaux climatiques et de robustesse mécanique – Partie 2-13: Essais – Essai M: Basse pression atmosphérique*
- IEC 60068-2-27:2008, *Essais d'environnement – Partie 2-27: Essais – Essai Ea et guide: Chocs*
- IEC 60068-2-30:2005, *Essais d'environnement – Partie 2-30: Essais – Essai Db: Essai cyclique de chaleur humide (cycle de 12 h + 12 h)*
- IEC 60947-5-1:2017, *Appareillage à basse tension – Partie 5-1: Appareils et éléments de commutation pour circuits de commande – Appareils électromécaniques pour circuits de commande*
- IEC 60947-5-2:2007, *Appareillage à basse tension – Partie 5-2: Appareils et éléments de commutation pour circuits de commande – Détecteurs de proximité*
- IEC 60947-5-3:2013, *Appareillage à basse tension – Partie 5-3: Appareils et éléments de commutation pour circuits de commande – Exigences pour dispositifs de détection de proximité à comportement défini dans des conditions de défaut (PDDDB)*
- IEC 61508-4:2010, *Sécurité fonctionnelle des systèmes électriques/électroniques/électroniques programmables relatifs à la sécurité – Partie 4: Définitions et abréviations*
- IEC 61810-1:2015, *Relais électromécaniques élémentaires – Partie 1: Exigences générales et de sécurité*
- IEC 61811-1, *Relais télécom électromécaniques élémentaires soumis au régime d'assurance qualité – Partie 1: Spécification générique et spécification particulière cadre*
- ISO 14119:2013, *Sécurité des machines – Dispositifs de verrouillage associés à des protecteurs – Principes de conception et de choix*
- ISO 22201:2017, *Lifts (elevators) – Design and development of programmable electronic systems in safety-related applications for lifts (PESSRAL) (disponible en anglais seulement)*
- ISO 22201-2:2013, *Ascenseurs, escaliers mécaniques et trottoirs roulants – Systèmes électroniques programmables dans les applications liées à la sécurité – Partie 2: Escaliers mécaniques et trottoirs roulants*

INTERNATIONAL
ELECTROTECHNICAL
COMMISSION

3, rue de Varembé
PO Box 131
CH-1211 Geneva 20
Switzerland

Tel: + 41 22 919 02 11
Fax: + 41 22 919 03 00
info@iec.ch
www.iec.ch